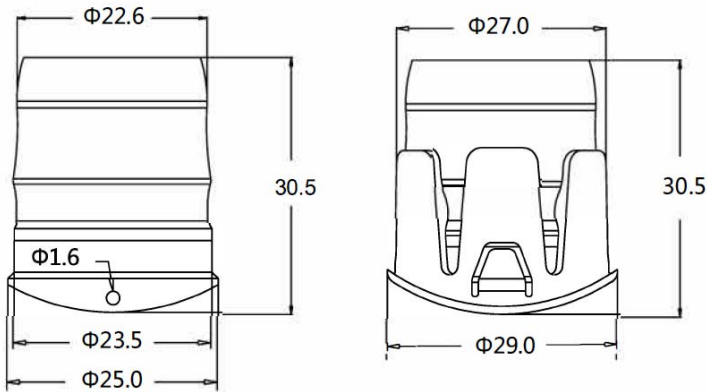


TZ-HR01 Handrail Light



LED handrail lighting system, suit for standard handrail made by stainless steel and aluminum. Different colors from 2700- 6500K and blue for LEDs are available, IP67 waterproof. Suit for Standard Ø48-63mm handrail wall thickness 1.0-1.5mm for a Ø27 hole



Basic Parameter

TZ-HR01 Handrail Light

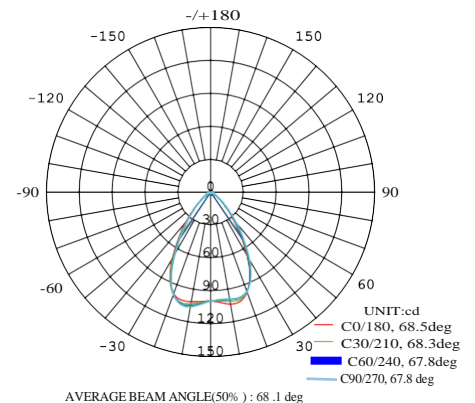
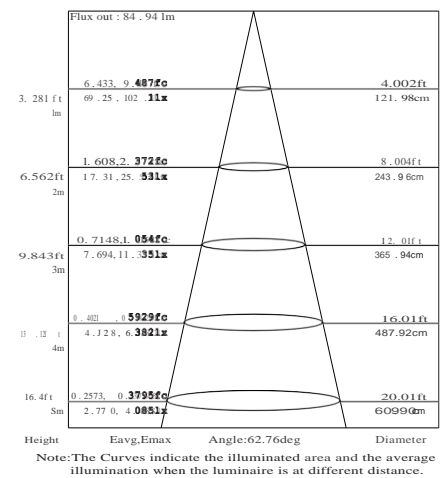
LED Brand	CREE
LED Q'ty	1 PCS
Product Number	TZ-HR01
Cover (Diffuser) material	PMMA
Working Temperature	-40~+ 45°C
Lifetime	>30000H
IP Class	IP67
Beam Angle	60°

Electrical Parameter

Power	1.5W
Input Voltage	24V

Optical Parameter

CTT	3000 K
Luminous Flux	114 Lm
Luminous Efficiency	76.5 Lm/W
WCRI	80



Light Distribution Curve

