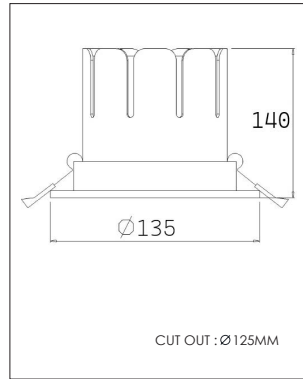


LED DOWN LIGHT



MODEL	CCT	Beam Angle	Dimmable	IP	Chip
TZ-DL059/WH/WW	3000K	15°/25°/38°	Dimmable	IP20	LUMINUS
TZ-DL059/WH/CW	4000K	15°/25°/38°	Dimmable	IP20	LUMINUS
TZ-DL059/BK/WW	3000K	15°/25°/38°	Dimmable	IP20	LUMINUS
TZ-DL059/BK/CW	4000K	15°/25°/38°	Dimmable	IP20	LUMINUS

LED	DRIVER	TRACK	CCT	R9	SDCM	CRI	LM (LED)
30W	700mA		3000 4000	19	<3	90	2950 3050

Photometric Data:

