

LED CABINET LIGHTS



## LED CABINET LIGHTS



NEW MINI AND CABINET LIGHTS





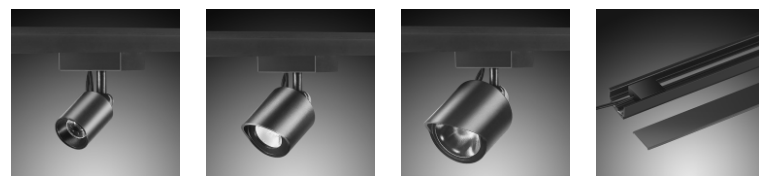
T2021A P.003  
 T2021A-2 P.005  
 T2021B P.007  
 T2021D P.009  
 T2021E P.011  
 T2021E P.013



T2021  
 P.015



T1901A P.019  
 T1901B P.021  
 T1901C P.023  
 T1901D P.025  
 T1901E P.027  
 T1901 P.29



T2004A P.033  
 T2004B P.035  
 T2004C P.037  
 T2004 P.039



T1902A P.043  
 T1902B P.045  
 T1902C P.047  
 T1902D P.049  
 T1902E P.051  
 T1902 P.053



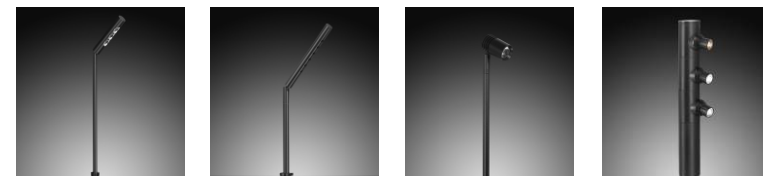
T2001A P.057  
 T2001B P.059  
 T2001D P.061  
 T2001 P.063

Line Spot Light  
 P.065- P.074



T1907 P.067  
 T1914 P.069  
 T1911 P.071  
 T1912 P.073

Pole Spot Light  
 P.075- P.084



L1215 P.077  
 L1223 P.079  
 L1221 P.081  
 L2003 P.083

Cabinet Spot Light  
 P.085- P.098



S1524 P.087  
 S1525 P.089  
 S1508 P.091  
 S1517 P.095  
 S1523 P.097

# Mini Track Spot Light >>>

The spot light is directly inserted into the track slot to fix.  
 The light fixture can be moved freely when needed,  
 Quick and easy lamps swaps at will allows great flexibility and adaptability.



HQ LED CHIPS



EXCELLENT HEAT DISSIPATION MANAGEMENT



EFFICIENT OPTICAL TECHNOLOGY



IP20



DIFFERENT BEAM ANGLES



MANY COLORS FOR HOUSING



DIFFERENT COLOR TEMPERATURE



III



# T2021A



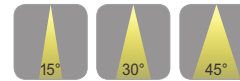
### OUTPUT / LUMENS

1W 95LM

### POWER SUPPLY

DC  
12-24V

### DEGREES



### CHIP

OSRAM

### COLOUR TEMPERATURE

3000K 4000K 6500K

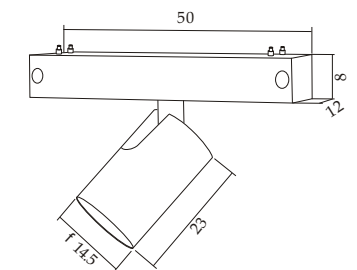
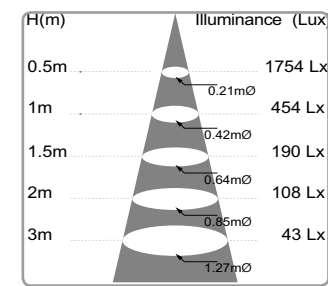
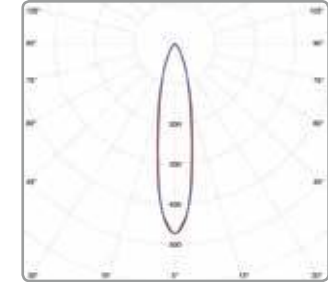
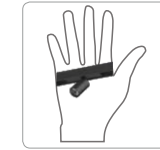
### COLOUR RENDERING INDEX

80Ra 90Ra

### COLOURS



### STANDARDS, COMPLIANCE



(mm)

## PRODUCT FEATURES

Mini magnetic spot light, machine precision aluminum molding, surface electrostatic spraying process. The integrated heat dissipation structure enables LED chip to dissipate heat rapidly, allowing the average life of the LED chip to reach 50,000 hours. HQ LED cold light source, no radiation, no strobe, for the spectrum does not contain red, ultraviolet light, protect the subject. Suitable for jewelry, jewelry, clocks, antiques and other display cabinets, display small space as the main lighting.

## INSTALLATION

Insert to the track



# T2021A-2



OUTPUT / LUMENS

2W 170LM

POWER SUPPLY

DC 12-24V

DEGREES

15° 30° 45°

CHIP

OSRAM

COLOUR TEMPERATURE

3000K 4000K 6500K

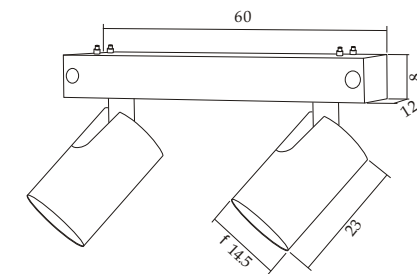
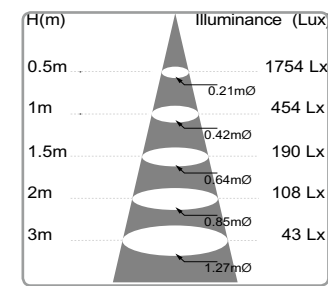
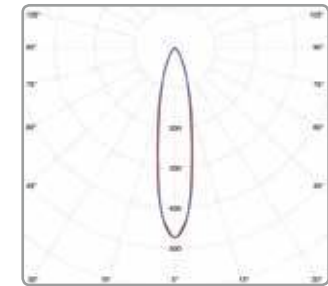
COLOUR RENDERING INDEX

80Ra 90Ra

COLOURS



STANDARDS, COMPLIANCE



(mm)

## PRODUCT FEATURES

Mini magnetic spot light, machine precision aluminum molding, surface electrostatic spraying process. The integrated heat dissipation structure enables LED chip to dissipate heat rapidly, allowing the average life of the LED chip to reach 50,000 hours. HQ LED cold light source, no radiation, no strobe, for the spectrum does not contain red, ultraviolet light, protect the subject. Suitable for jewelry, jewelry, clocks, antiques and other display cabinets, display small space as the main lighting.

## INSTALLATION

Insert to the track

# T2021B



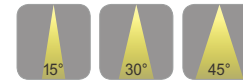
## OUTPUT / LUMENS

2W 170LM

## POWER SUPPLY

DC  
12-24V

## DEGREES



## CHIP

OSRAM

## COLOUR TEMPERATURE

3000K 4000K 6500K

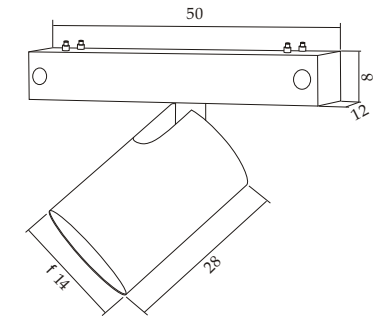
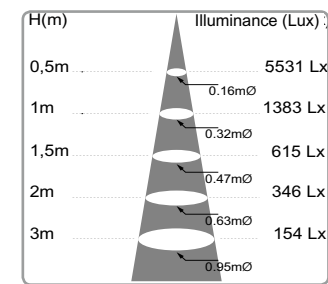
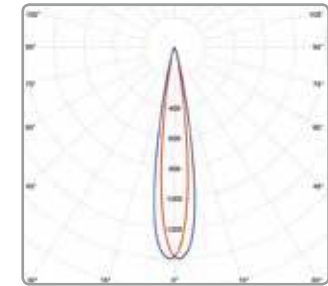
## COLOUR RENDERING INDEX

80Ra 90Ra

## COLOURS



## STANDARDS, COMPLIANCE



(mm)

## PRODUCT FEATURES

Mini magnetic spot light, machine precision aluminum molding, surface electrostatic spraying process. The integrated heat dissipation structure enables LED chip to dissipate heat rapidly, allowing the average life of the LED chip to reach 50,000 hours. HQ LED cold light source, no radiation, no strobe, for the spectrum does not contain red, ultraviolet light, protect the subject. Suitable for jewelry, jewelry, clocks, antiques and other display cabinets, display small space as the main lighting.

## INSTALLATION

Insert to the track

# T2021D



## OUTPUT / LUMENS

5W 400LM

## POWER SUPPLY

DC  
12-24V

## DEGREES

15° 30° 45°

## CHIP

OSRAM

## COLOUR TEMPERATURE

3000K 4000K 6500K

## COLOUR RENDERING INDEX

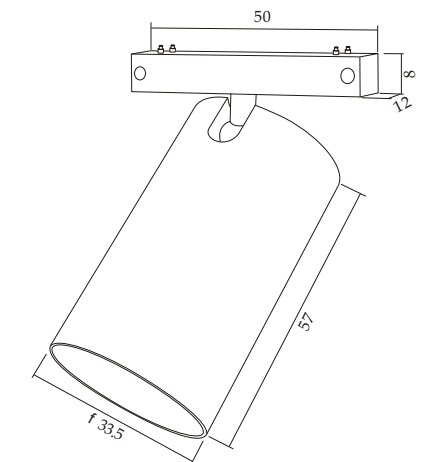
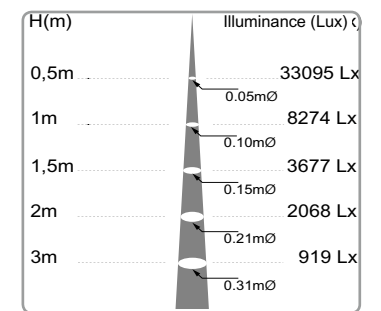
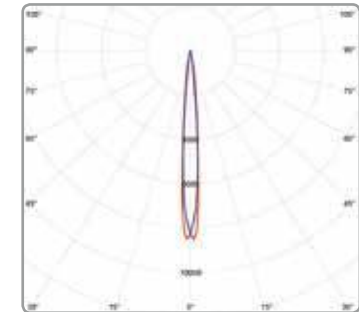
80Ra 90Ra

## COLOURS



## STANDARDS, COMPLIANCE

CE III RoHS 35°C / -20°C 50000 hours IP20



(mm)

## PRODUCT FEATURES

Mini magnetic spot light, machine precision aluminum molding, surface electrostatic spraying process. The integrated heat dissipation structure enables LED chip to dissipate heat rapidly, allowing the average life of the LED chip to reach 50,000 hours. HQ LED cold light source, no radiation, no strobe, for the spectrum does not contain red, ultraviolet light, protect the subject. Suitable for jewelry, jewelry, clocks, antiques and other display cabinets, display small space as the main lighting.

## INSTALLATION

Insert to the track

# T2021E



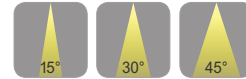
## OUTPUT / LUMENS



## POWER SUPPLY



## DEGREES



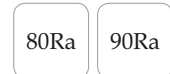
## CHIP

**OSRAM**

## COLOUR TEMPERATURE



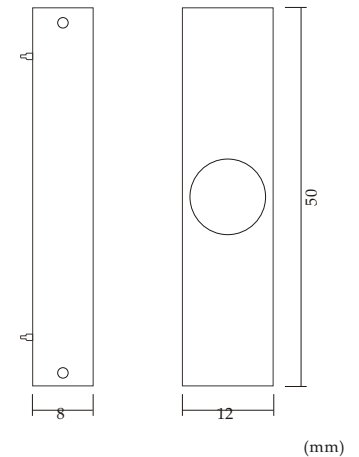
## COLOUR RENDERING INDEX



## COLOURS



## STANDARDS, COMPLIANCE



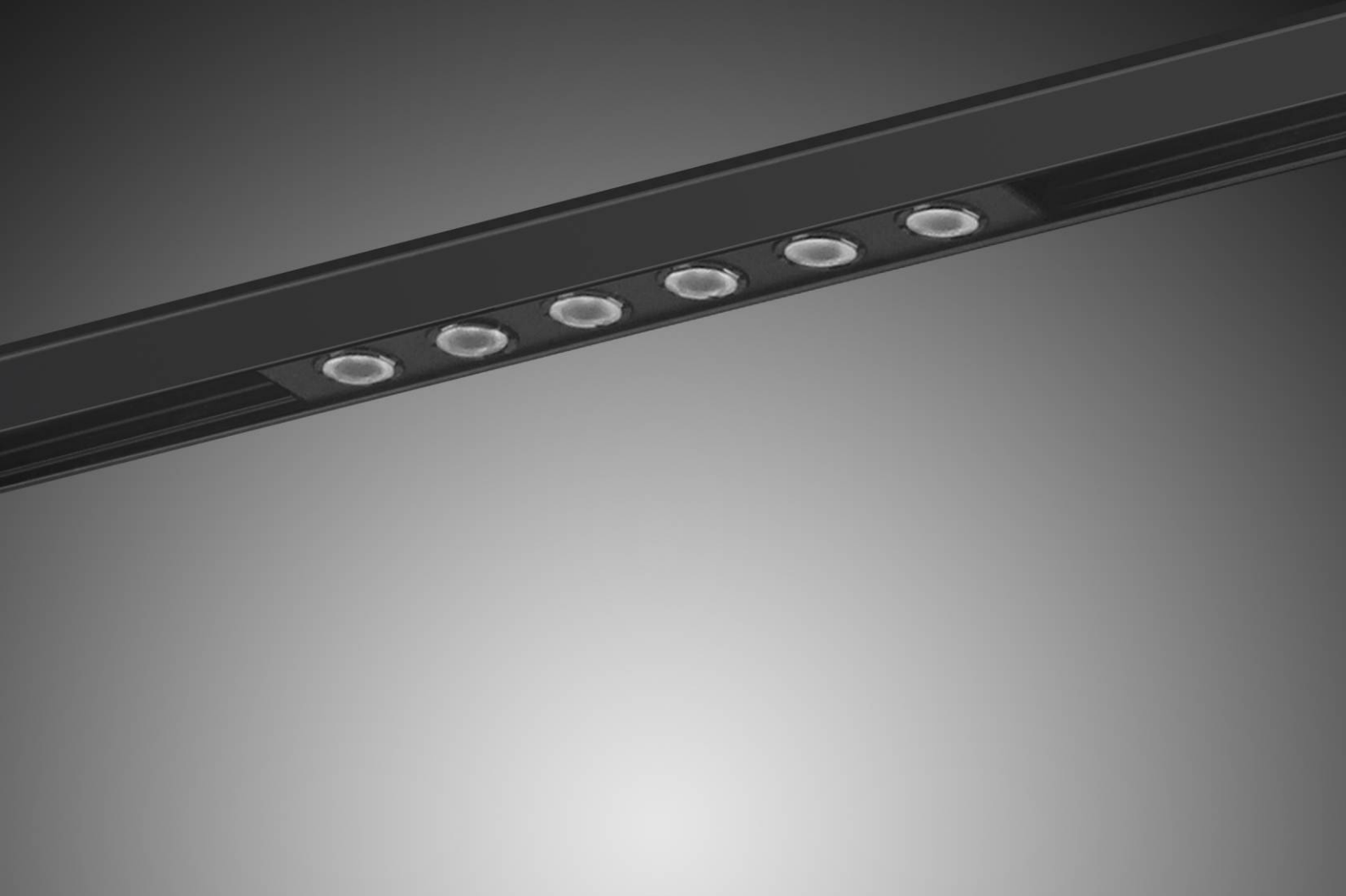
## PRODUCT FEATURES

Mini magnetic spot light, machine precision aluminum molding, surface electrostatic spraying process. The integrated heat dissipation structure enables LED chip to dissipate heat rapidly, allowing the average life of the LED chip to reach 50,000 hours. HQ LED cold light source, no radiation, no strobe, for the spectrum does not contain red, ultraviolet light, protect the subject. Suitable for jewelry, jewelry, clocks, antiques and other display cabinets, display small space as the main lighting.

## INSTALLATION

Insert to the track

# T2021E



OUTPUT / LUMENS

3W 280LM

POWER SUPPLY

DC 12-24V

DEGREES

15° 30° 45°

CHIP

OSRAM

COLOUR TEMPERATURE

3000K 4000K 6500K

COLOUR RENDERING INDEX

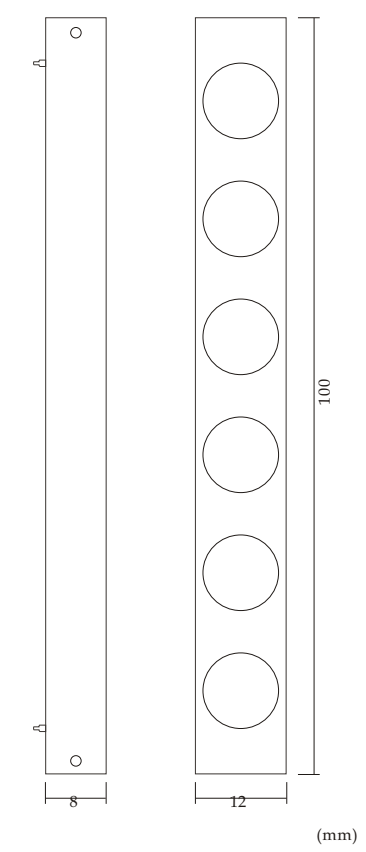
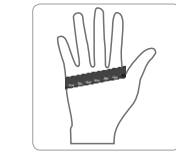
80Ra 90Ra

灯体颜色 COLOURS

● ●

STANDARDS, COMPLIANCE

CE III RoHS 35°C -20°C 50000 hours IP20



## PRODUCT FEATURES

Mini magnetic spot light, machine precision aluminum molding, surface electrostatic spraying process. The integrated heat dissipation structure enables LED chip to dissipate heat rapidly, allowing the average life of the LED chip to reach 50,000 hours. HQ LED cold light source, no radiation, no strobe, for the spectrum does not contain red, ultraviolet light, protect the subject. Suitable for jewelry, jewelry, clocks, antiques and other display cabinets, display small space as the main lighting.

## INSTALLATION

Insert to the track

# T2021



POWER SUPPLY



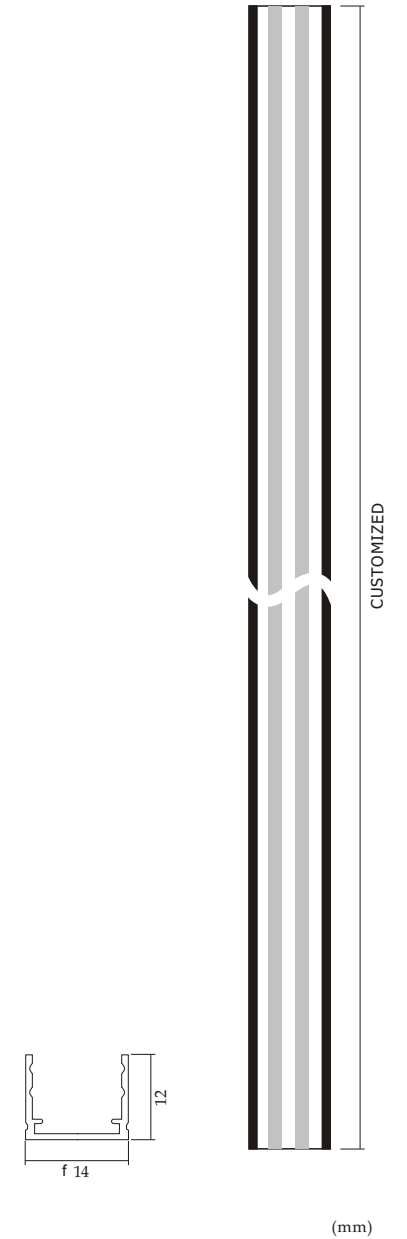
COLOURS



STANDARDS, COMPLIANCE



DIMENSIONS |



PRODUCT FEATURES

Aluminum alloy precision molding, surface electrostatic spraying process. Lights can move freely within the track. Lights can be placed in any position and adjust at any time.

INSTALLATION  
SURFACE MOUNTED





Dimming



HQ LED CHIPS



EXCELLENT HEAT DISSIPATION MANAGEMENT



EFFICIENT OPTICAL TECHNOLOGY



IP20



DIFFERENT BEAM ANGLES



MANY COLORS FOR HOUSING



DIFFERENT COLOR TEMPERATURE

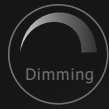


III





# T1901A



OUTPUT / LUMENS

1W 90LM

POWER SUPPLY

DC12V

DEGREES

15° 30° 45°

CHIP

OSRAM

COLOUR TEMPERATURE

3000K 4000K 6500K

COLOUR RENDERING INDEX

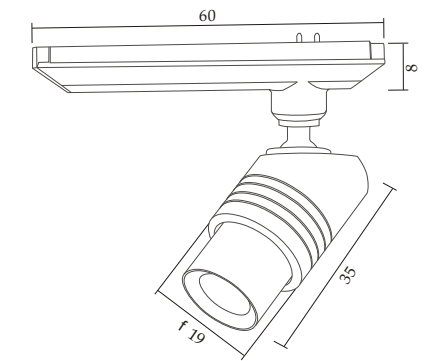
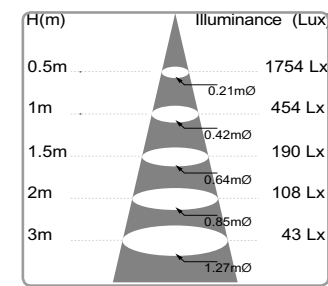
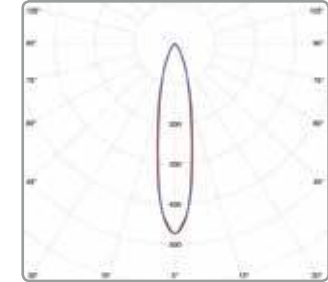
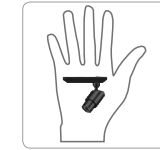
80Ra 90Ra

COLOURS

Black and Grey color swatches

STANDARDS, COMPLIANCE

CE, RoHS, Energy Star, 35°C / -20°C, 50000 hours, IP20



(mm)

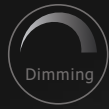
## PRODUCT FEATURES

Mini magnetic spot light, machine precision aluminum molding, surface electrostatic spraying process. The integrated heat dissipation structure enables LED chip to dissipate heat rapidly, allowing the average life of the LED chip to reach 50,000 hours. HQ LED cold light source, no radiation, no strobe, for the spectrum does not contain red, ultraviolet light, protect the subject. Suitable for jewelry, jewelry, clocks, antiques and other display cabinets, display small space as the main lighting.

## INSTALLATION

Insert to the track

# T1901B



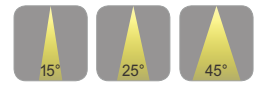
### OUTPUT / LUMENS

3W 165LM

### POWER SUPPLY

DC12V/DC24V

### DEGREES



### CHIP

CREE OSRAM

### COLOUR TEMPERATURE

3000K 4000K 6000K

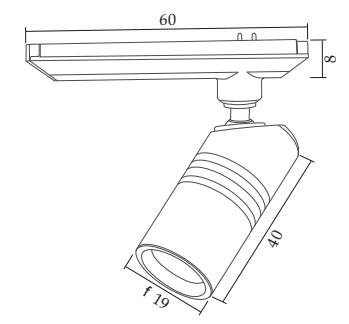
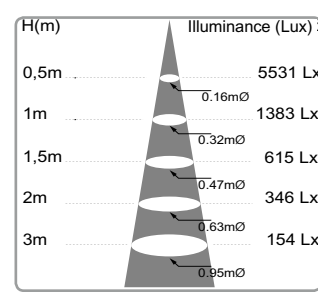
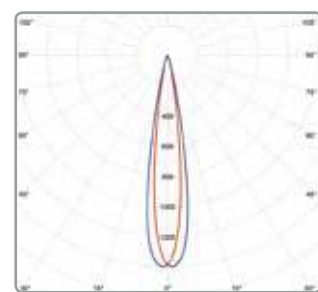
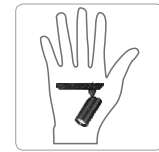
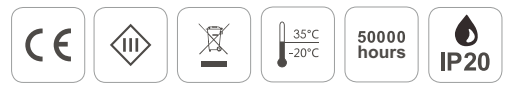
### COLOUR RENDERING INDEX

80Ra 90Ra

### COLOURS



### STANDARDS, COMPLIANCE



(mm)

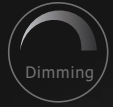
## PRODUCT FEATURES

Mini magnetic spot light, machine precision aluminum molding, surface electrostatic spraying process. The integrated heat dissipation structure enables LED chip to dissipate heat rapidly, allowing the average life of the LED chip to reach 50,000 hours. HQ LED cold light source, no radiation, no strobe, for the spectrum does not contain red, ultraviolet light, protect the subject. Suitable for jewelry, jewelry, clocks, antiques and other display cabinets, display small space as the main lighting.

## INSTALLATION

Insert to the track

# T1901C



### OUTPUT / LUMENS

3W 180LM

### POWER SUPPLY

DC12V/DC24V

### DEGREES

15° 25° 45°

### CHIP

OSRAM

### COLOUR TEMPERATURE

3000K 4000K 6000K

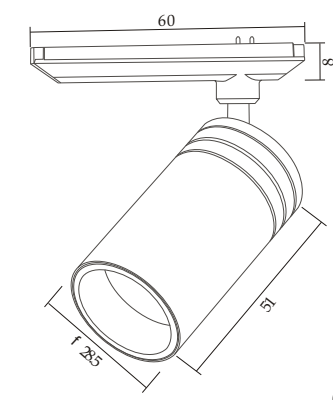
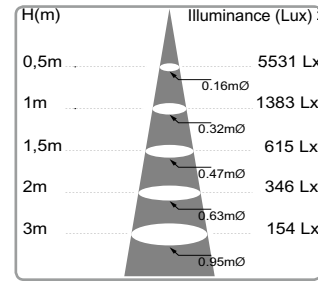
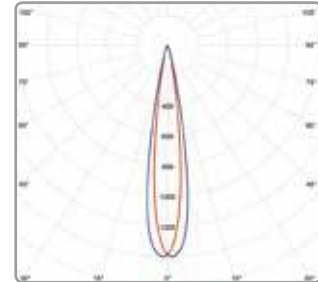
### COLOUR RENDERING INDEX

80Ra 90Ra

### COLOURS



### STANDARDS, COMPLIANCE



(mm)

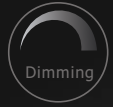
## PRODUCT FEATURES

Mini magnetic spot light, machine precision aluminum molding, surface electrostatic spraying process. The integrated heat dissipation structure enables LED chip to dissipate heat rapidly, allowing the average life of the LED chip to reach 50,000 hours. HQ LED cold light source, no radiation, no strobe, for the spectrum does not contain red, ultraviolet light, protect the subject. Suitable for jewelry, jewelry, clocks, antiques and other display cabinets, display small space as the main lighting.

## INSTALLATION

Insert to the track

# T1901D



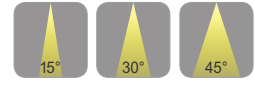
### OUTPUT / LUMENS

3W 180LM

### POWER SUPPLY

DC12V/DC24V

### DEGREES



### CHIP

CREE OSRAM

### COLOUR TEMPERATURE

3000K 4000K 6000K

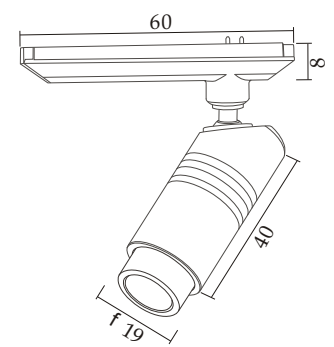
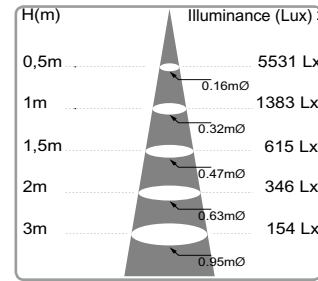
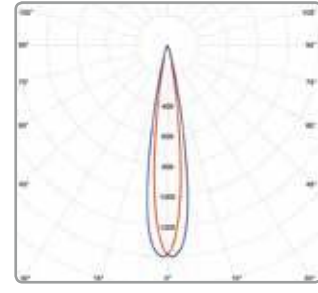
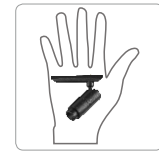
### COLOUR RENDERING INDEX

80Ra 90Ra

### COLOURS



### STANDARDS, COMPLIANCE



(mm)

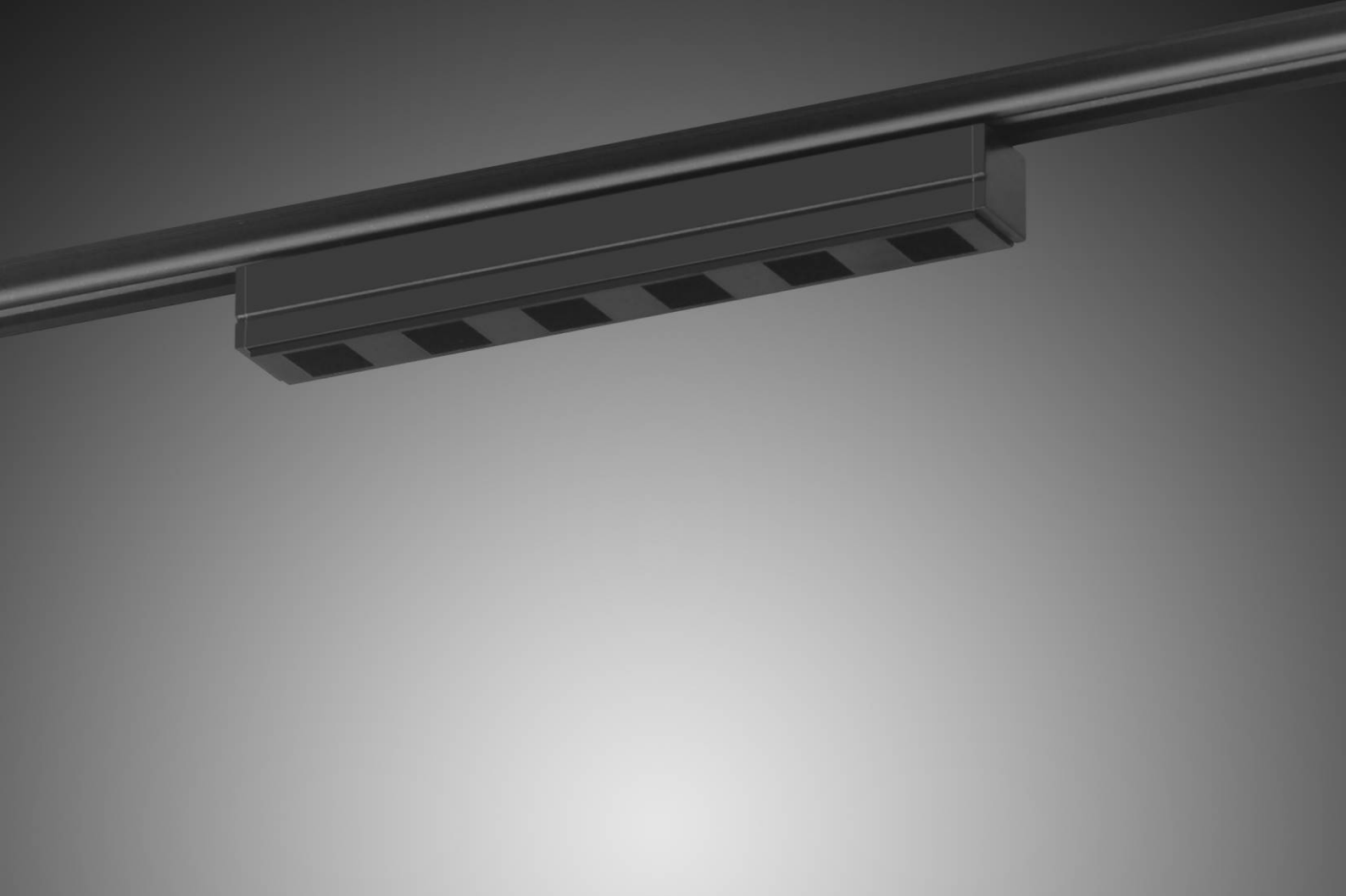
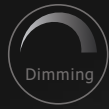
## PRODUCT FEATURES

Mini magnetic spot light, machine precision aluminum molding, surface electrostatic spraying process. The integrated heat dissipation structure enables LED chip to dissipate heat rapidly, allowing the average life of the LED chip to reach 50,000 hours. HQ LED cold light source, no radiation, no strobe, for the spectrum does not contain red, ultraviolet light, protect the subject. Suitable for jewelry, jewelry, clocks, antiques and other display cabinets, display small space as the main lighting.

## INSTALLATION

Insert to the track

# T1901E



OUTPUT / LUMENS

3W 180LM

POWER SUPPLY

DC24V

DEGREES

15° 30° 45°

CHIP

**OSRAM**

COLOUR TEMPERATURE

3000K 4000K 6500K

COLOUR RENDERING INDEX

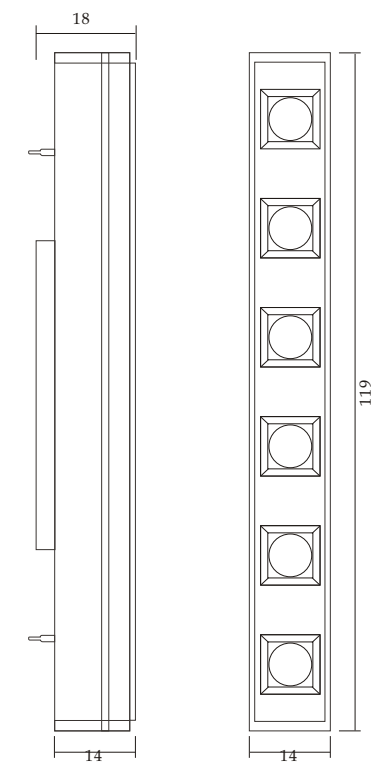
80Ra 90Ra

COLOURS

Black Grey

STANDARDS, COMPLIANCE

CE RoHS WEEE 35°C / -20°C 50000 hours IP20



(mm)

## PRODUCT FEATURES

Mini magnetic spot light, machine precision aluminum molding, surface electrostatic spraying process. The integrated heat dissipation structure enables LED chip to dissipate heat rapidly, allowing the average life of the LED chip to reach 50,000 hours. HQ LED cold light source, no radiation, no strobe, for the spectrum does not contain red, ultraviolet light, protect the subject. Suitable for jewelry, jewelry, clocks, antiques and other display cabinets, display small space as the main lighting.

## INSTALLATION

Insert to the track

# T1901



## POWER SUPPLY



## INPUT CURRENT



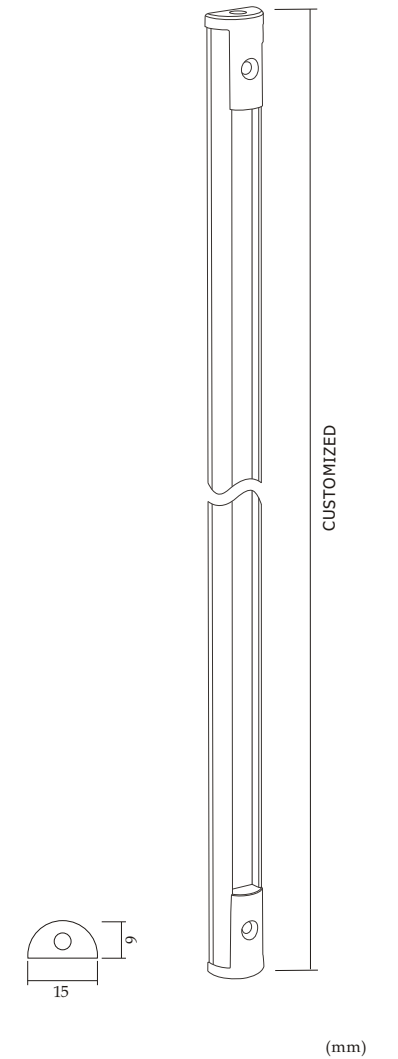
## COLOURS



## STANDARDS, COMPLIANCE



## DIMENSIONS



## INSTALLATION

SURFACE MOUNTED





HQ LED CHIPS



EXCELLENT HEAT DISSIPATION MANAGEMENT



EFFICIENT OPTICAL TECHNOLOGY



IP20



DIFFERENT BEAM ANGLES



MANY COLORS FOR HOUSING



DIFFERENT COLOR TEMPERATURE



III





# T2004A



### OUTPUT / LUMENS

1W 110LM

### POWER SUPPLY

DC12V / DC24V

### DEGREES

15° 30° 45°

### CHIP

OSRAM

### COLOUR TEMPERATURE

3000K 4000K 6500K

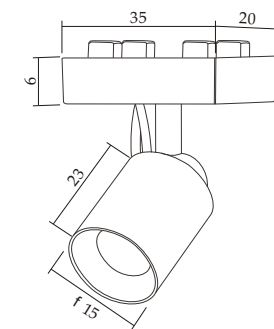
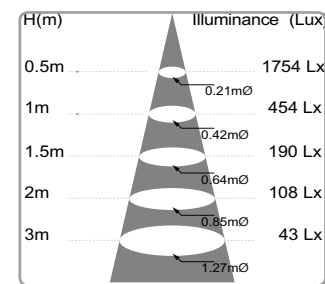
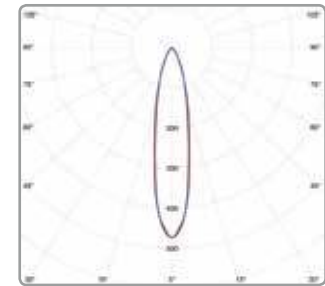
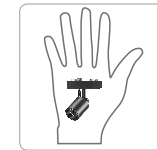
### COLOUR RENDERING INDEX

80Ra 90Ra

### COLOURS



### STANDARDS, COMPLIANCE



(mm)

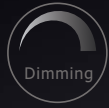
## PRODUCT FEATURES

Mini magnetic spot light, machine precision aluminum molding, surface electrostatic spraying process. The integrated heat dissipation structure enables LED chip to dissipate heat rapidly, allowing the average life of the LED chip to reach 50,000 hours. HQ LED cold light source, no radiation, no strobe, for the spectrum does not contain red, ultraviolet light, protect the subject. Suitable for jewelry, jewelry, clocks, antiques and other display cabinets, display small space as the main lighting.

## INSTALLATION

Insert to the track

# T2004B



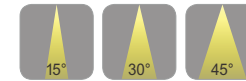
## OUTPUT / LUMENS

3W 165LM

## POWER SUPPLY

DC12V /  
DC24V

## DEGREES



## CHIP

OSRAM

## COLOUR TEMPERATURE

3000K 4000K 6500K

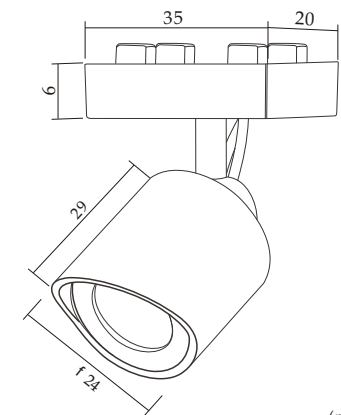
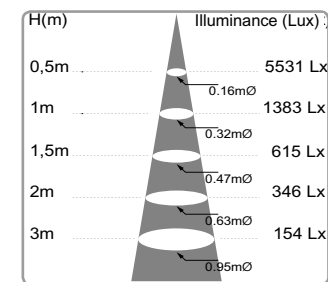
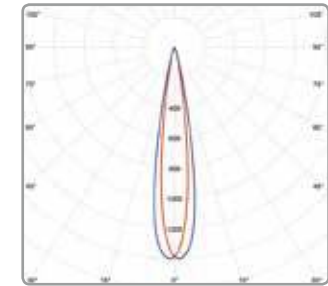
## COLOUR RENDERING INDEX

80Ra 90Ra

## COLOURS



## STANDARDS, COMPLIANCE



(mm)

## PRODUCT FEATURES

Mini magnetic spot light, machine precision aluminum molding, surface electrostatic spraying process. The integrated heat dissipation structure enables LED chip to dissipate heat rapidly, allowing the average life of the LED chip to reach 50,000 hours. HQ LED cold light source, no radiation, no strobe, for the spectrum does not contain red, ultraviolet light, protect the subject. Suitable for jewelry, jewelry, clocks, antiques and other display cabinets, display small space as the main lighting.

## INSTALLATION

Insert to the track

# T2004C



### OUTPUT / LUMENS

5W 420LM

### POWER SUPPLY

DC12V / DC24V

### DEGREES

15° 30° 45°

### CHIP

OSRAM

### COLOUR TEMPERATURE

3000K 4000K 6500K

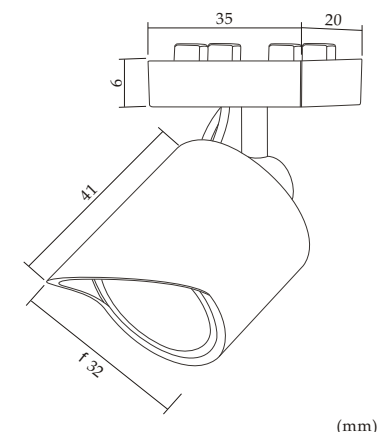
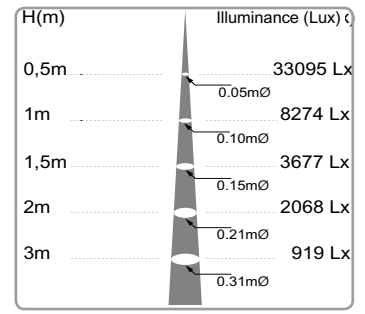
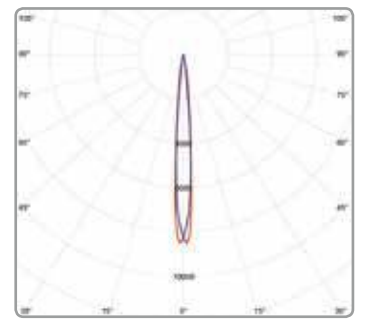
### COLOUR RENDERING INDEX

80Ra 90Ra

### COLOURS



### STANDARDS, COMPLIANCE



(mm)

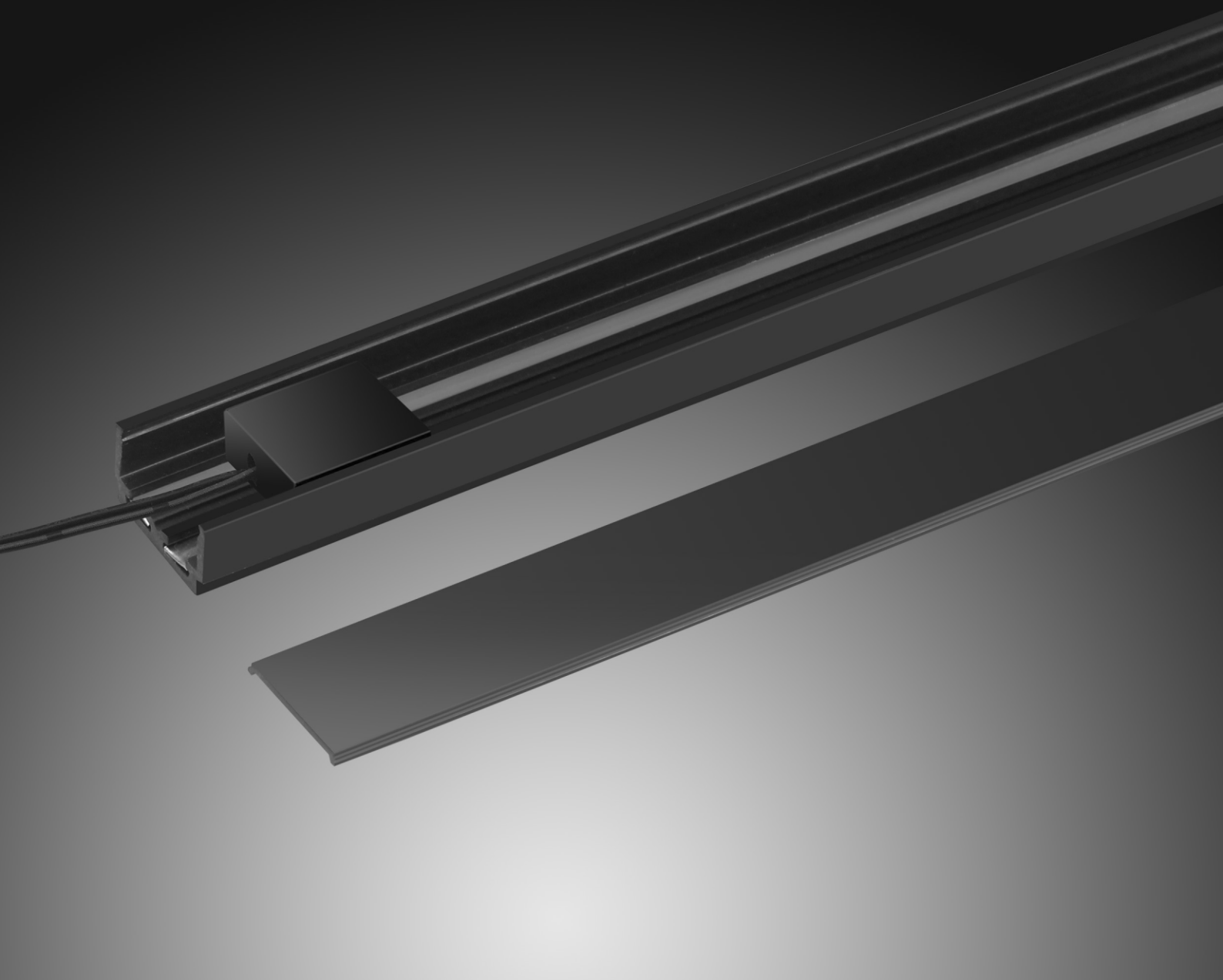
## PRODUCT FEATURES

Mini magnetic spot light, aluminum precision machining molding, surface electrostatic spraying process. The integrated heat dissipation structure enables LED chip to dissipate heat rapidly, ensuring the average life of the light source can reach 50,000 hours. Can be divided to increase or decrease the number of lamp, choose the light color to meet different application environment, HQ LED cold light source, no radiation, no strobe, for the spectrum does not contain red, ultraviolet light, protect the subject. Suitable for jewelry, jewelry, clocks, antiques and other display cabinets, display small space as the key lighting.

### INSTALLATION

Insert to the track

# T2004



## POWER SUPPLY



## INPUT CURRENT



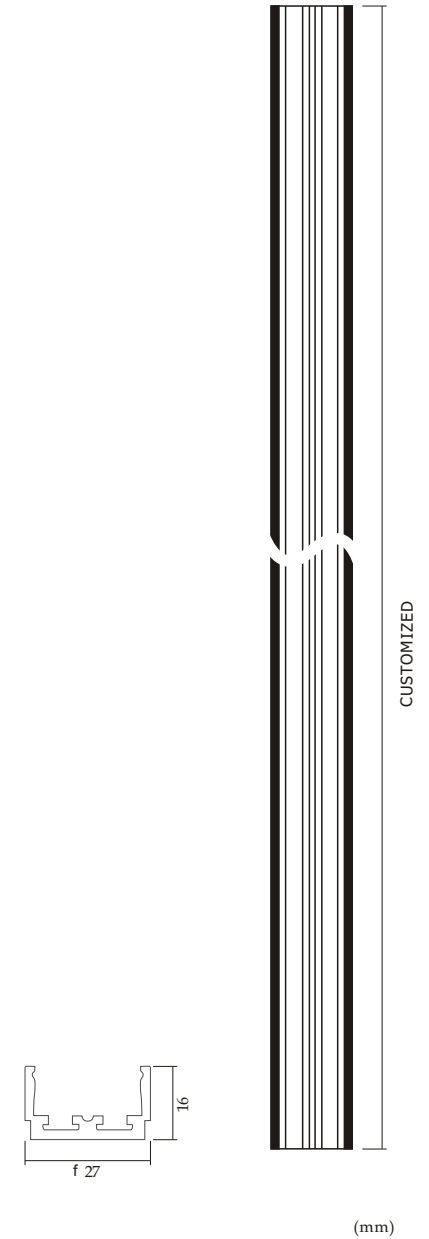
## COLOURS



## STANDARDS, COMPLIANCE



## DIMENSIONS



## INSTALLATION

SURFACE MOUNTED





HQ LED CHIPS



EXCELLENT HEAT DISSIPATION MANAGEMENT



EFFICIENT OPTICAL TECHNOLOGY



IP20



DIFFERENT BEAM ANGLES



MANY COLORS FOR HOUSING



DIFFERENT COLOR TEMPERATURE



III



# T1902A



### OUTPUT / LUMENS

1W 110LM

### POWER SUPPLY

DC12V

### DEGREES

15° 30° 45°

### CHIP

CREE OSRAM

### COLOUR TEMPERATURE

3000K 4000K 6000K

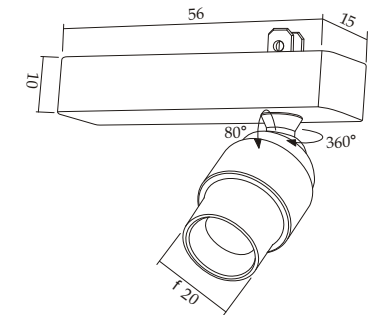
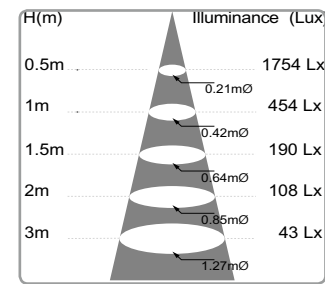
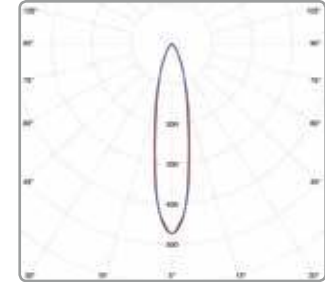
### COLOUR RENDERING INDEX

80Ra 90Ra

### COLOURS



### STANDARDS, COMPLIANCE



(mm)

## PRODUCT FEATURES

Mini track spot lights uses high quality LED chips with machined precision to create an exquisite shape and excellent light performance.

The spectrum does not contain red, ultraviolet light, the protection is according to the object, does not contain harmful substances mercury, care for human health, environmental protection love the earth. Suitable for exhibition halls, museums, such as display cabinets, cabinets and other places, play the role of key light.

## INSTALLATION

Insert to the track

# T1902B



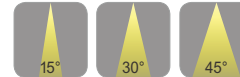
## OUTPUT / LUMENS

3W 165LM

## POWER SUPPLY

DC12V

## DEGREES



## CHIP

CREE OSRAM

## COLOUR TEMPERATURE

3000K 4000K 6000K

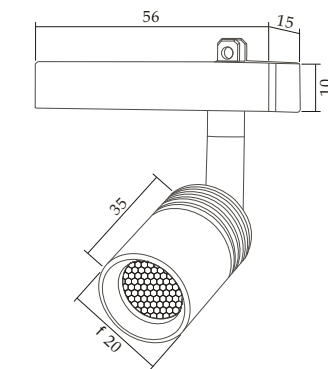
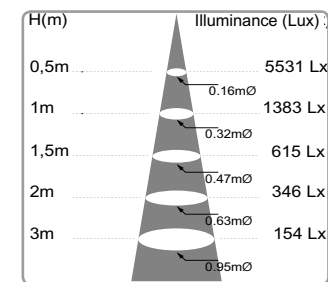
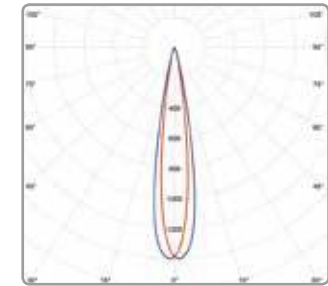
## COLOUR RENDERING INDEX

80Ra 90Ra

## COLOURS



## STANDARDS, COMPLIANCE



(mm)

## PRODUCT FEATURES

Mini track spot lights uses high quality LED chips with machined precision to create an exquisite shape and excellent light performance.

The spectrum does not contain red, ultraviolet light, the protection is according to the object, does not contain harmful substances mercury, care for human health, environmental protection love the earth. Suitable for exhibition halls, museums, such as display cabinets, cabinets and other places, play the role of key light.

## INSTALLATION

Insert to the track





### OUTPUT / LUMENS

3\*1W 280LM

### POWER SUPPLY

DC12V

### DEGREES

15° 30° 45°

### CHIP

CREE OSRAM

### COLOUR TEMPERATURE

3000K 4000K 6000K

### COLOUR RENDERING INDEX

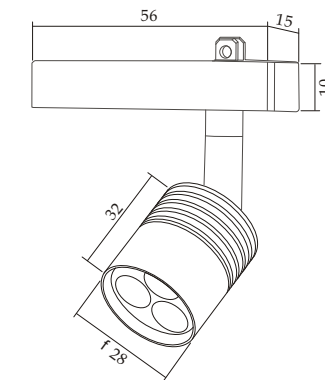
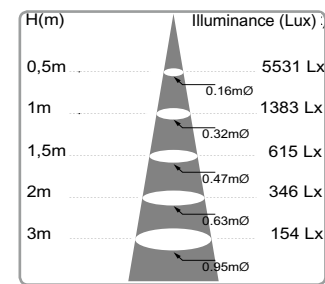
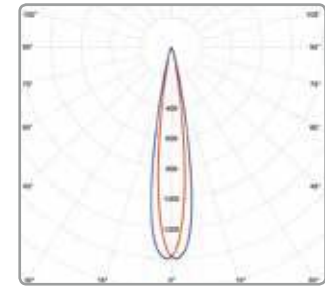
80Ra 90Ra

### COLOURS

● ●

### STANDARDS, COMPLIANCE

CE III RoHS 35°C / -20°C 50000 hours IP20



(mm)

## PRODUCT FEATURES

Mini track spot lights uses high quality LED chips with machined precision to create an exquisite shape and excellent light performance.

The spectrum does not contain red, ultraviolet light, the protection is according to the object, does not contain harmful substances mercury, care for human health, environmental protection love the earth. Suitable for exhibition halls, museums, such as display cabinets, cabinets and other places, play the role of key light.

## INSTALLATION

Insert to the track

# T1902D



## OUTPUT / LUMENS

3W 120-200 LM

## POWER SUPPLY

DC12V/DC24V

## DEGREES

8° - 60° Adjustable

## CHIP

CREE OSRAM

## COLOUR TEMPERATURE

3000K 4000K 6000K

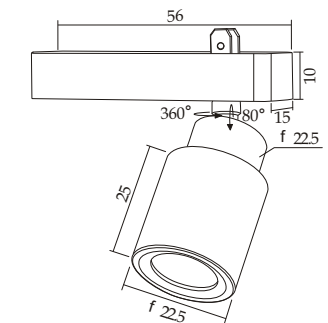
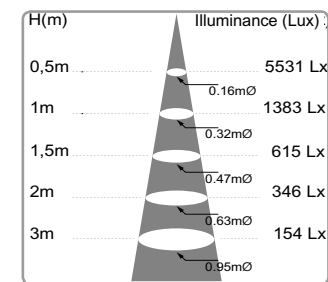
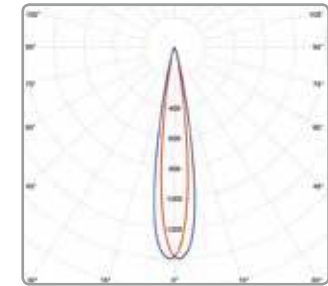
## COLOUR RENDERING INDEX

80Ra 90Ra

## COLOURS



## STANDARDS, COMPLIANCE



(mm)

## PRODUCT FEATURES

Mini track spot lights uses high quality LED chips with machined precision to create an exquisite shape and excellent light performance.

The spectrum does not contain red, ultraviolet light, the protection is according to the object, does not contain harmful substances mercury, care for human health, environmental protection love the earth. Suitable for exhibition halls, museums, such as display cabinets, cabinets and other places, play the role of key light.

## INSTALLATION

Insert to the track

# T1902E



## OUTPUT / LUMENS

1W 90LM

## POWER SUPPLY

DC12V

## DEGREES

15° 30° 45°

## CHIP

CREE OSRAM

## COLOUR TEMPERATURE

3000K 4000K 6000K

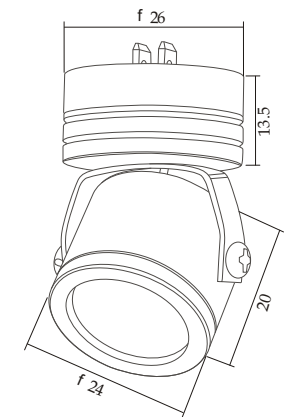
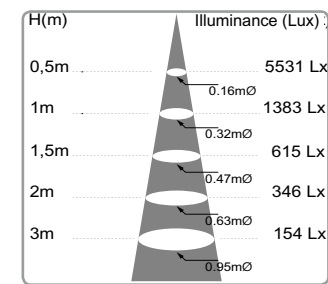
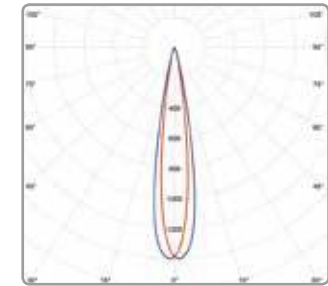
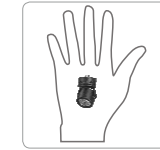
## COLOUR RENDERING INDEX

80Ra 90Ra

## COLOURS



## STANDARDS, COMPLIANCE



(mm)

## PRODUCT FEATURES

Mini track spot lights uses high quality LED chips with machined precision to create an exquisite shape and excellent light performance.

The spectrum does not contain red, ultraviolet light, the protection is according to the object, does not contain harmful substances mercury, care for human health, environmental protection love the earth. Suitable for exhibition halls, museums, such as display cabinets, cabinets and other places, play the role of key light.

## INSTALLATION

Insert to the track

# T1902

## POWER SUPPLY

DC12V /  
DC24V

## INPUT CURRENT

3A

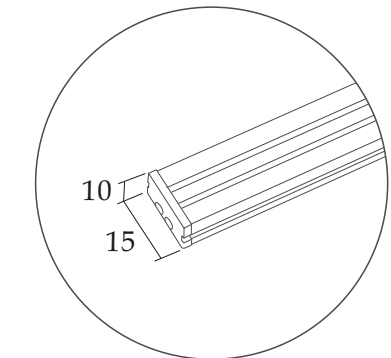
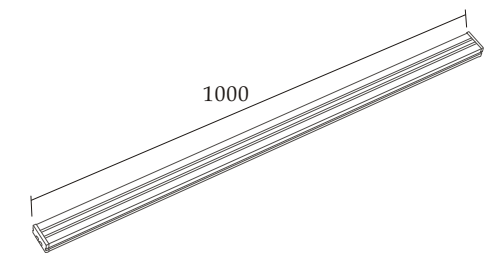
## COLOURS



## STANDARDS, COMPLIANCE



## DIMENSIONS



(mm)

## INSTALLATION

SURFACE MOUNTED

# T2001A



### OUTPUT / LUMENS

2W 130LM

### POWER SUPPLY

DC12V

### DEGREES

15° 30° 45°

### CHIP

CREE OSRAM

### COLOUR TEMPERATURE

3000K 4000K 6000K

### COLOUR RENDERING INDEX

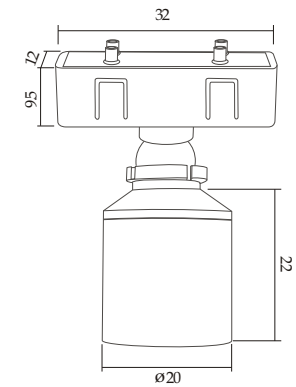
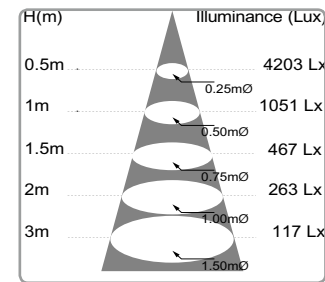
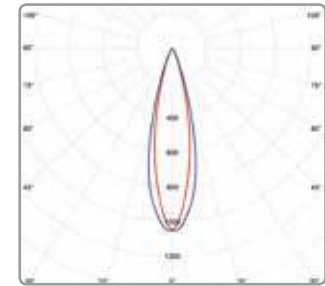
80Ra 90Ra

### COLOURS



### STANDARDS, COMPLIANCE

CE III 50000 hours



(mm)

## PRODUCT FEATURES

LED mini track lights adopt the super mini design, high quality led chips, efficient optical technology, excellent thermal management, wide range of colour temperature, use to light up a pavilion or museum exhibition space, such as such as display showcase

## INSTALLATION

Insert to the track

# T2001B



### OUTPUT / LUMENS

3W 165LM

### POWER SUPPLY

DC12V

### DEGREES

15° 30° 45°

### CHIP

CREE OSRAM

### COLOUR TEMPERATURE

3000K 4000K 6000K

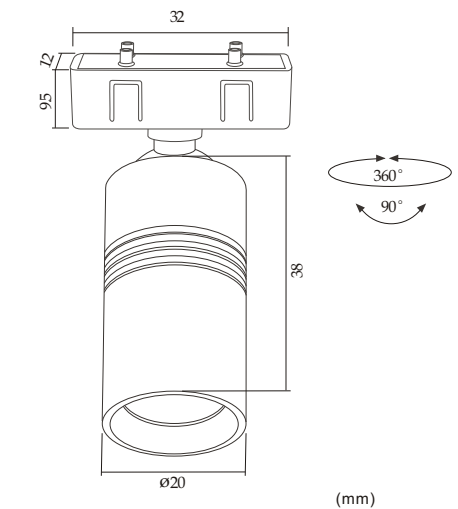
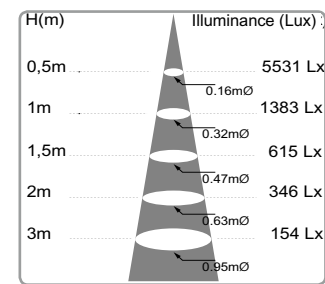
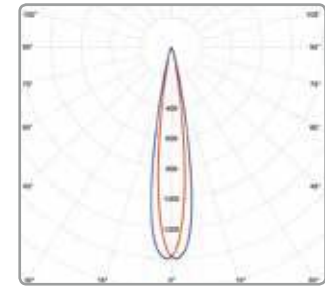
### COLOUR RENDERING INDEX

80Ra 90Ra

### COLOURS



### STANDARDS, COMPLIANCE



## PRODUCT FEATURES

LED mini track lights adopt the super mini design, high quality led chips, efficient optical technology, excellent thermal management, wide range of colour temperature, use to light up a pavilion or museum exhibition space, such as such as display showcase

## INSTALLATION

Insert to the track



# T2001D



## OUTPUT / LUMENS

2W 130LM

## POWER SUPPLY

DC12V

## DEGREES

15° 30° 45°

## CHIP

CREE OSRAM

## COLOUR TEMPERATURE

3000K 4000K 6000K

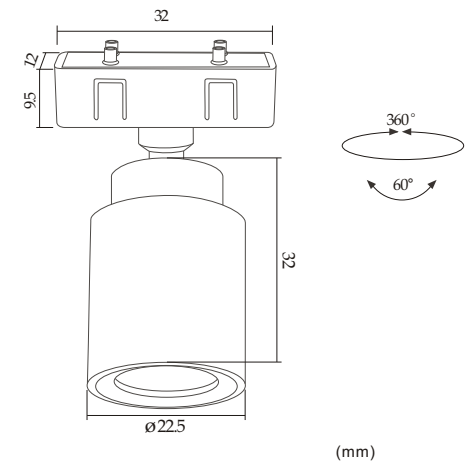
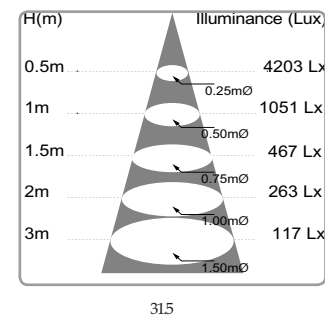
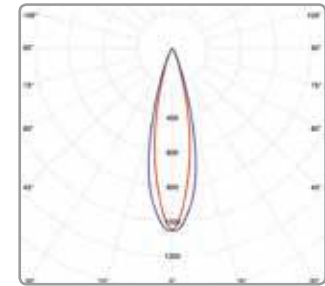
## COLOUR RENDERING INDEX

80Ra 90Ra

## COLOURS



## STANDARDS, COMPLIANCE



## PRODUCT FEATURES

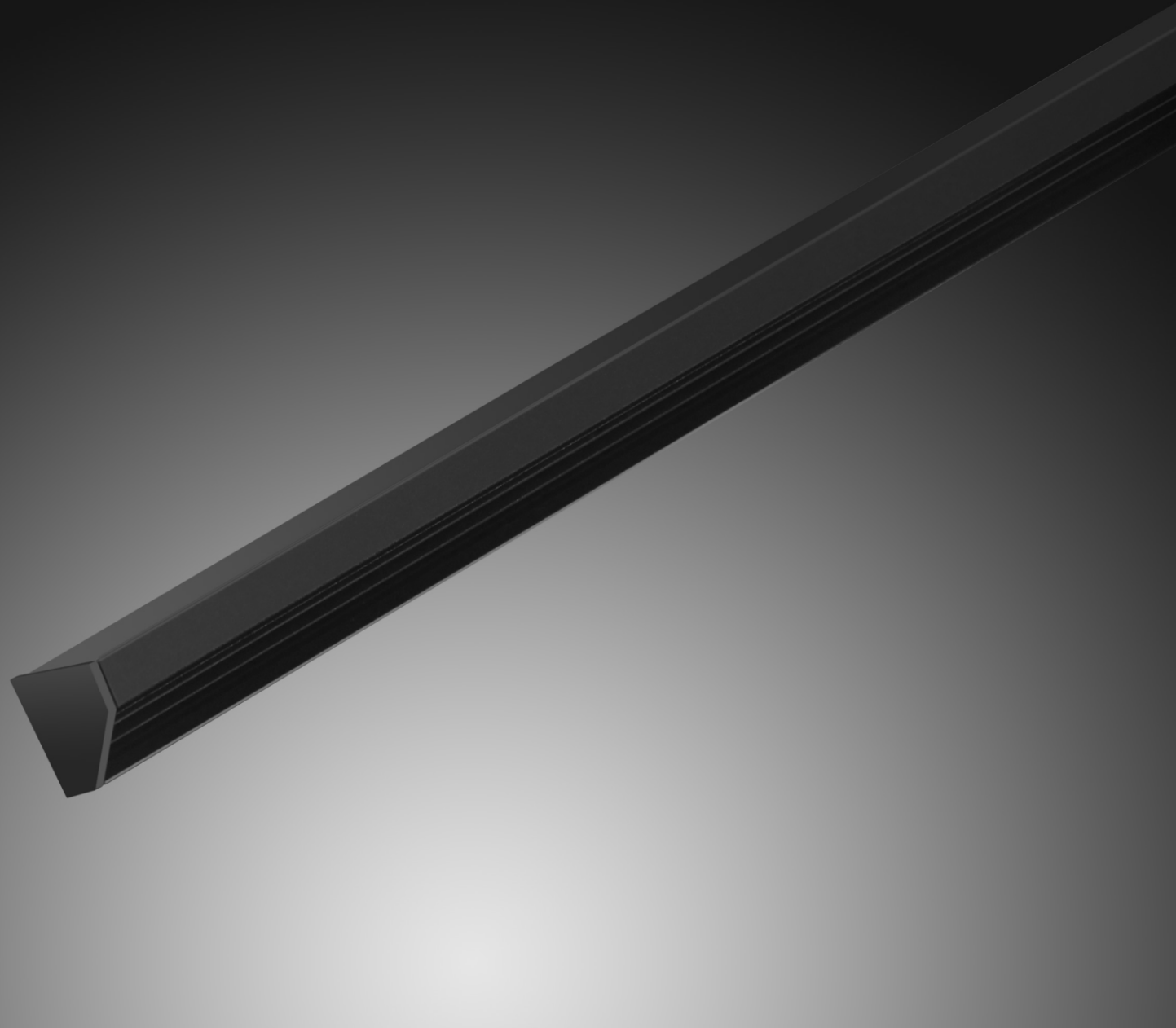
LED mini track lights adopt the super mini design, high quality led chips, efficient optical technology, excellent thermal management, wide range of colour temperature, use to light up a pavilion or museum exhibition space, such as such as display showcase

## INSTALLATION

Insert to the track



# T2001



## POWER SUPPLY



## INPUT CURRENT



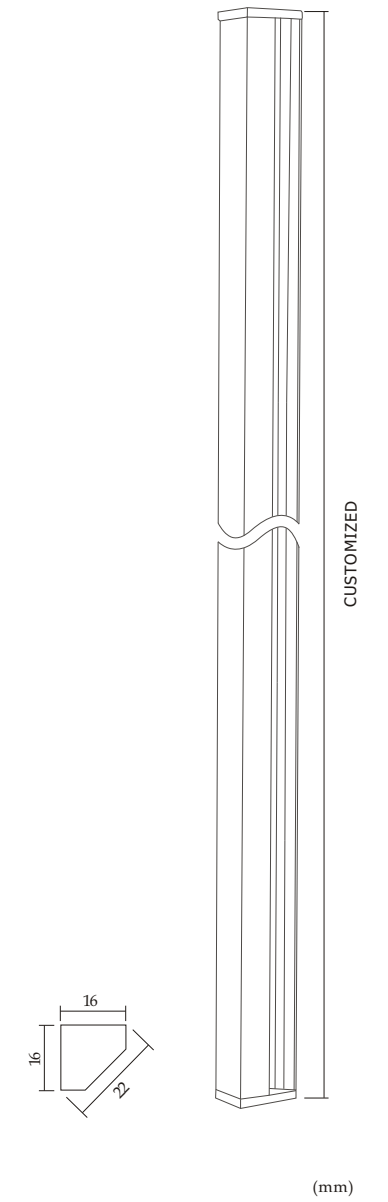
## COLOURS



## STANDARDS, COMPLIANCE



## DIMENSIONS



## INSTALLATION

SURFACE MOUNTED



# Linear Spot Light >>> T1907



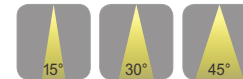
OUTPUT / LUMENS



POWER SUPPLY



DEGREES



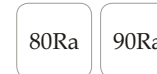
CHIP



COLOUR TEMPERATURE



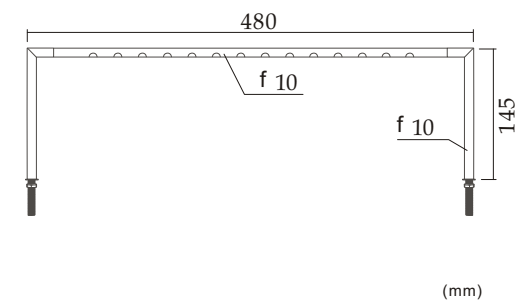
COLOUR RENDERING INDEX



COLOURS



STANDARDS, COMPLIANCE



INSTALLATION

FIX WITH CLIPS

# Linear Spot Light >>> T1914



OUTPUT / LUMENS

18 W/M 1500 LM/M

POWER SUPPLY

DC12V

DEGREES

120°

CHIP

CREE OSRAM

COLOUR TEMPERATURE

3000K 4000K 6000K

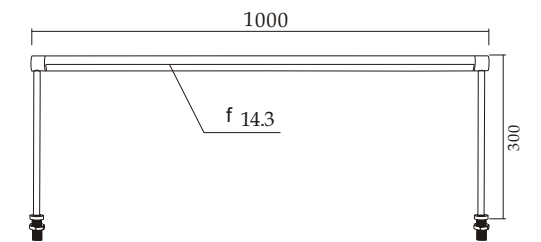
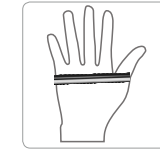
COLOUR RENDERING INDEX

80Ra 90Ra

COLOURS



STANDARDS, COMPLIANCE



(mm)

INSTALLATION

HOLE 12MM , FIX THE BASE

# Linear Spot Light>>> T1911



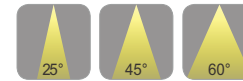
OUTPUT / LUMENS

12W 80LM PER SET

POWER SUPPLY

220V / 110V

DEGREES



CHIP



COLOUR TEMPERATURE

3000K 4000K 6000K

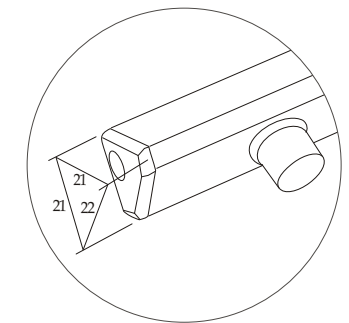
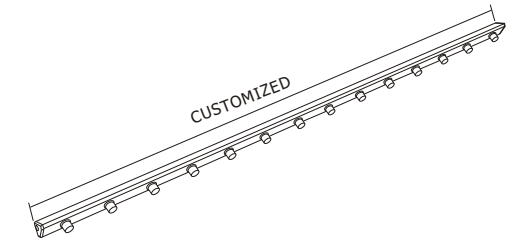
COLOUR RENDERING INDEX

80Ra 90Ra

COLOURS



STANDARDS, COMPLIANCE



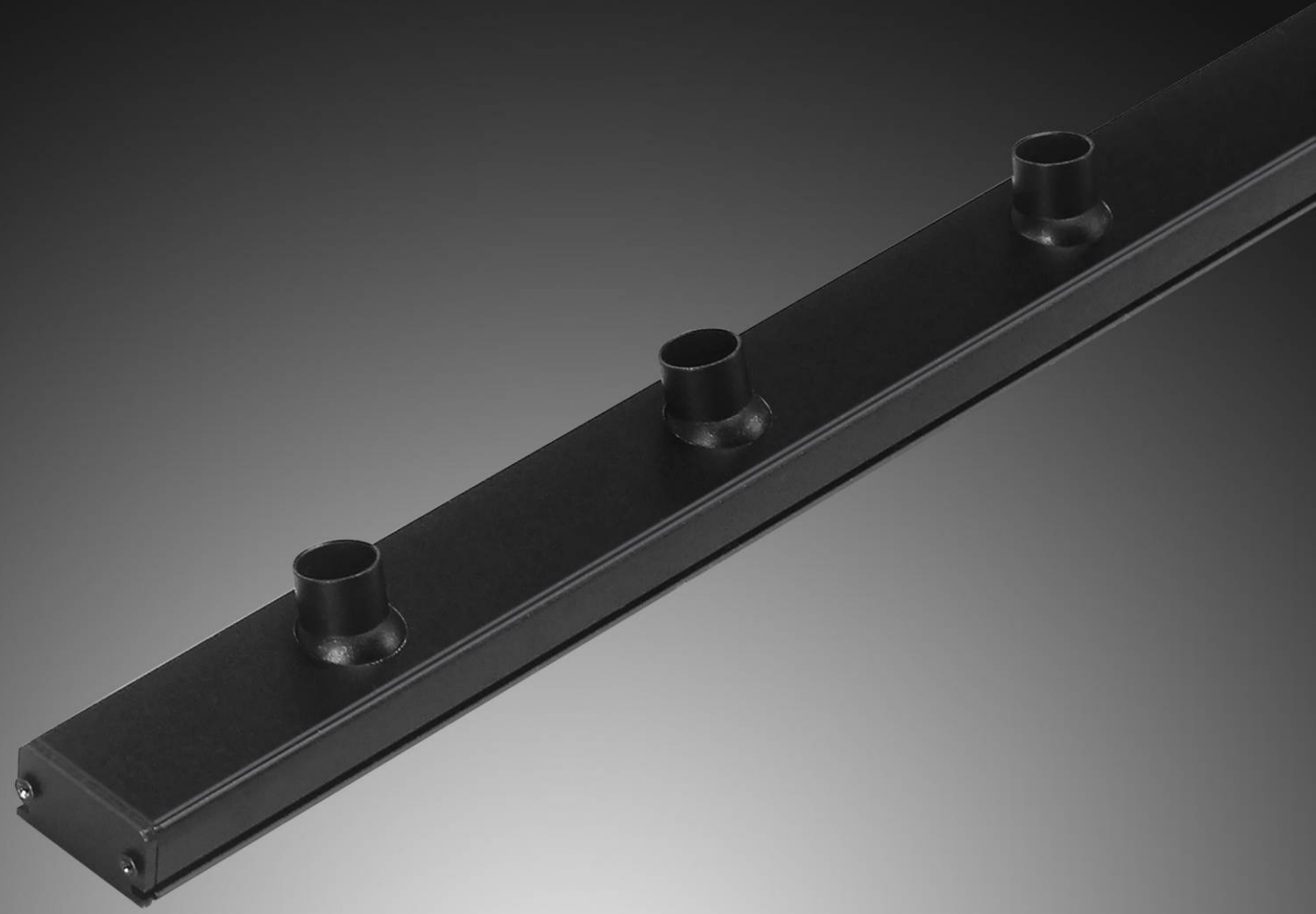
(mm)

INSTALLATION

FIX WITH CLIPS



# Linear Spot Light»» T1912



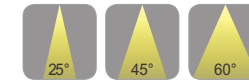
OUTPUT / LUMENS

12W 80LM PER SET

POWER SUPPLY

220V / 110V

DEGREES



CHIP

CREE OSRAM

COLOUR TEMPERATURE

3000K 4000K 6000K

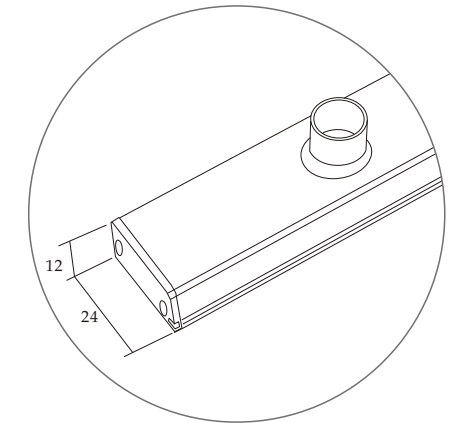
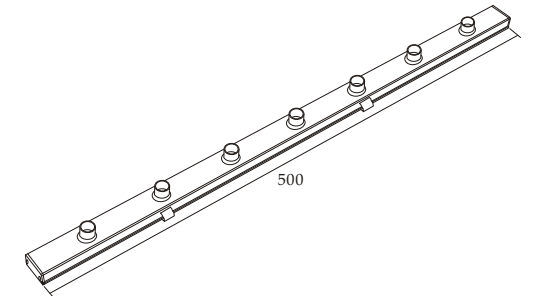
COLOUR RENDERING INDEX

80Ra 90Ra

COLOURS



STANDARDS, COMPLIANCE

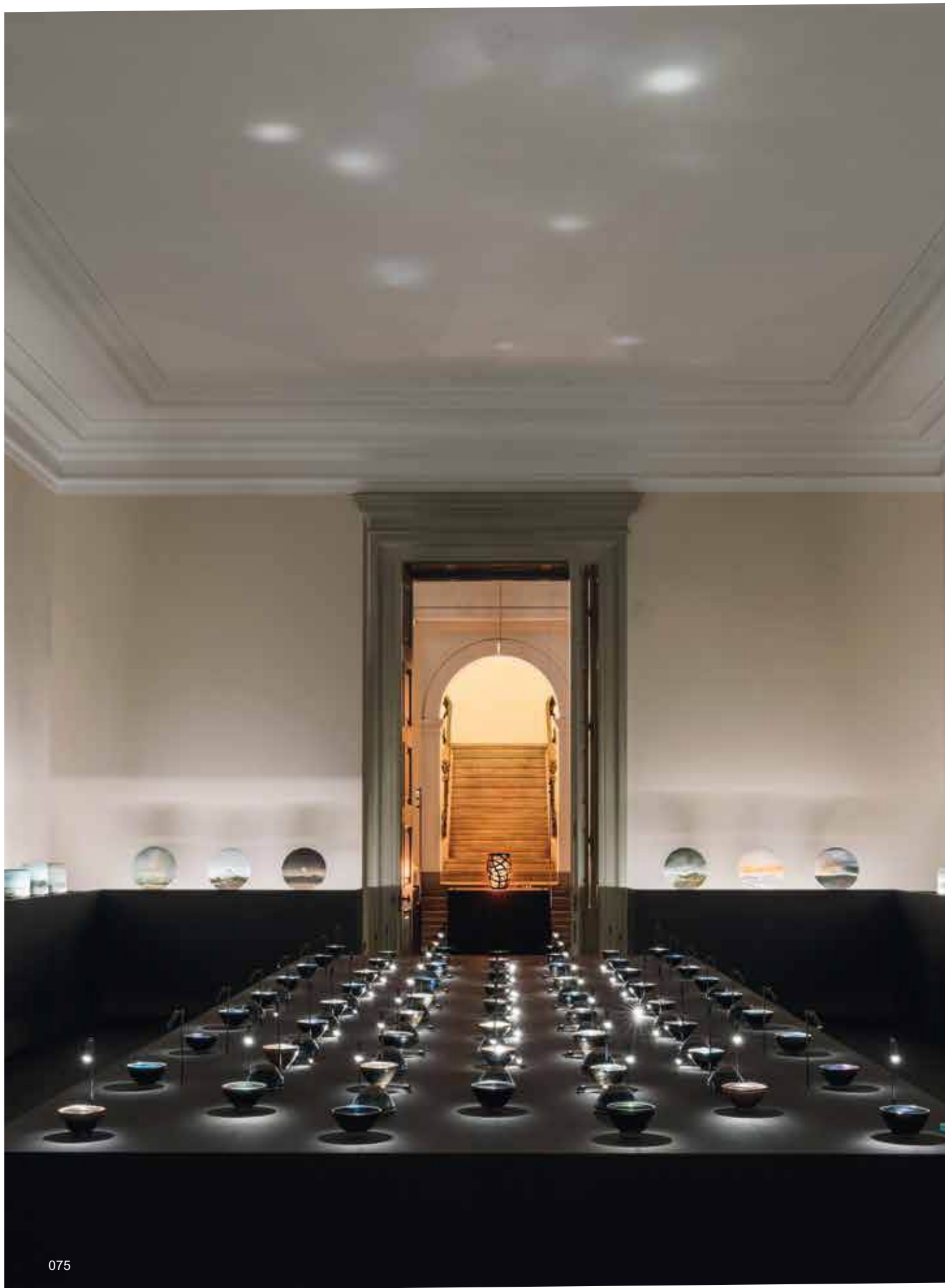


(mm)

INSTALLATION

FIX WITH CLIPS





迷你轨道射灯

横装/竖装射灯

立杆射灯

酒柜射灯

# Pole Spot Light >>> L1215



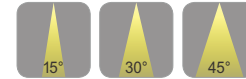
OUTPUT / LUMENS

3\*1W 280LM

POWER SUPPLY

220V/  
110V

DEGREES



CHIP

CREE OSRAM

COLOUR TEMPERATURE

3000K 4000K 6000K

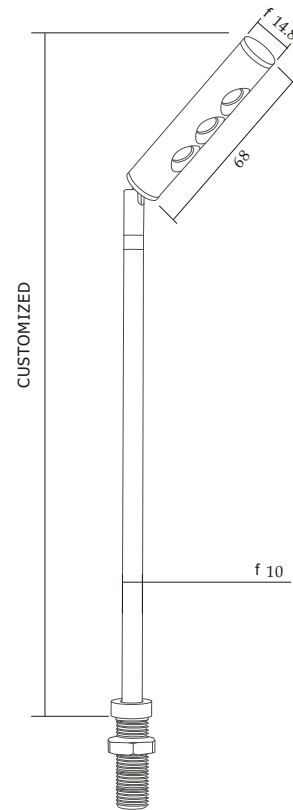
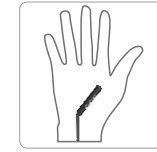
COLOUR RENDERING INDEX

80Ra 90Ra

COLOURS

CUSTOMIZED

STANDARDS, COMPLIANCE



(mm)

INSTALLATION

HOLE 13mm , FIX THE BASE



# Pole Spot Light >>> L1223



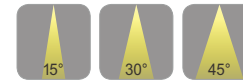
OUTPUT / LUMENS

3W 280LM

POWER SUPPLY

AC 220V

DEGREES



CHIP

CREE OSRAM

COLOUR TEMPERATURE

3000K 4000K 6000K

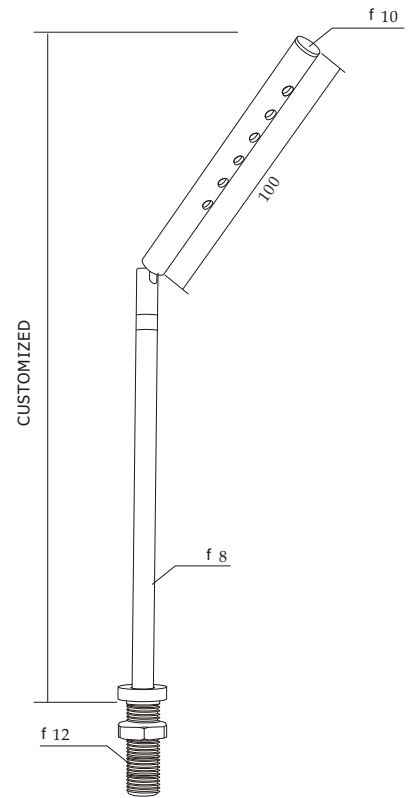
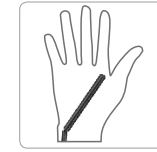
COLOUR RENDERING INDEX

80Ra 90Ra

COLOURS



STANDARDS, COMPLIANCE



(mm)

INSTALLATION

HOLE 13mm , FIX THE BASE

# Pole Spot Light >>> L1221



## OUTPUT / LUMENS

3W 165LM

## POWER SUPPLY

220V/  
110V

## DEGREES



## CHIP

CREE OSRAM

## COLOUR TEMPERATURE

3000K 4000K 6000K

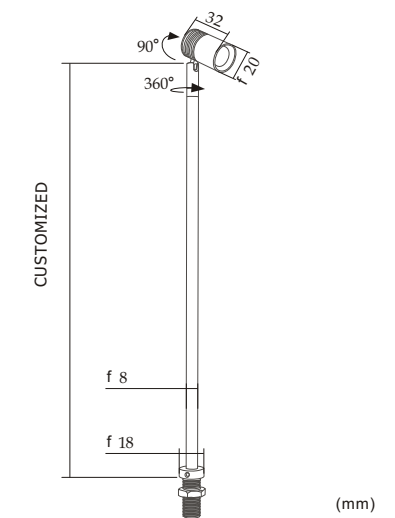
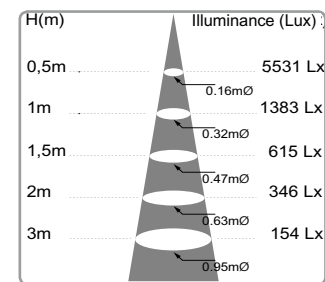
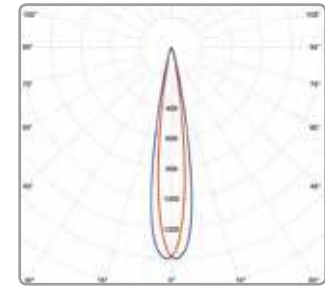
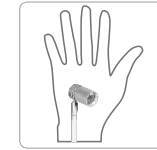
## COLOUR RENDERING INDEX

80Ra 90Ra

## COLOURS



## STANDARDS, COMPLIANCE



## INSTALLATION

HOLE 13mm , FIX THE BASE



# Pole Spot Light >>> L2003



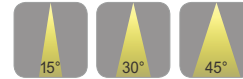
OUTPUT / LUMENS

3\*1W 280LM

POWER SUPPLY

AC  
220V

DEGREES



CHIP

OSRAM

COLOUR TEMPERATURE

3000K 4000K 6500K

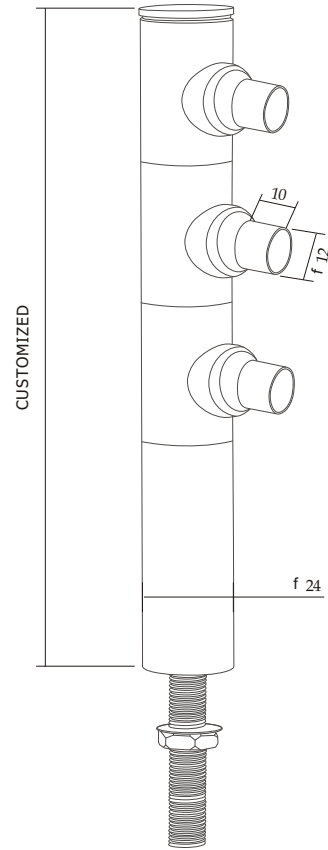
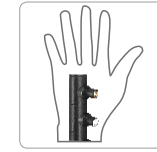
COLOUR RENDERING INDEX

80Ra 90Ra

COLOURS



STANDARDS, COMPLIANCE



(mm)

INSTALLATION

HOLE 13mm , FIX THE BASE

# Cabinet Spot Light >>> S1524



OUTPUT / LUMENS

3W 280LM

POWER SUPPLY

220V/  
110V

DEGREES

6°-60°

CHIP

CREE OSRAM

COLOUR TEMPERATURE

3000K 4000K 6000K

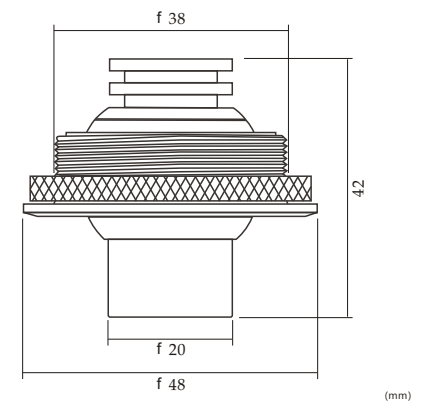
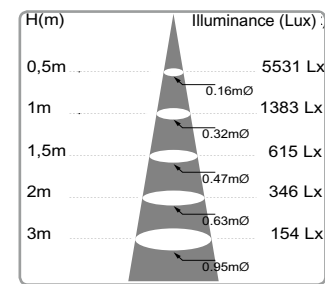
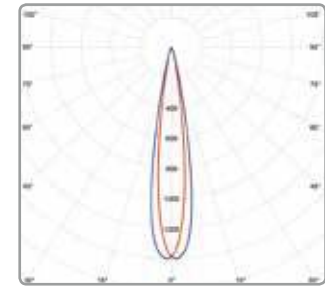
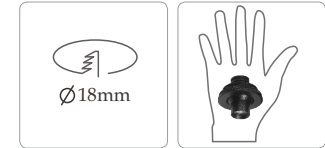
COLOUR RENDERING INDEX

80Ra 90Ra

COLOURS



STANDARDS, COMPLIANCE



INSTALLATION  
RECESEED

# Cabinet Spot Light >>>

## S1525



### OUTPUT / LUMENS

5W 420LM

### POWER SUPPLY

220V / 110V

### DEGREES

6°-60°

### CHIP

CREE OSRAM

### COLOUR TEMPERATURE

3000K 4000K 6000K

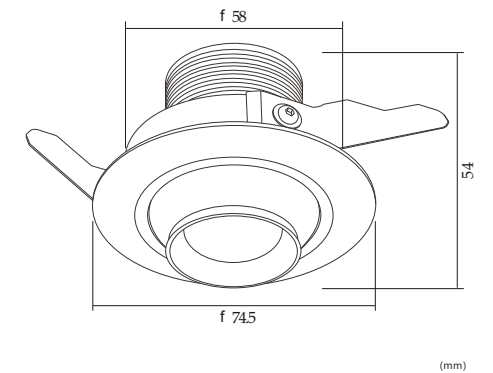
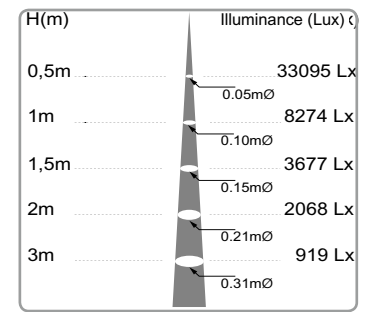
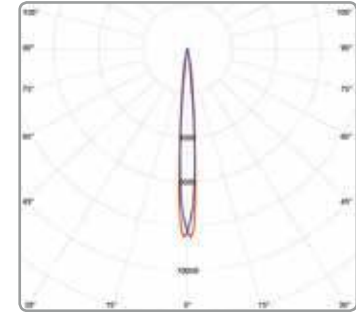
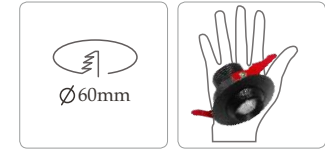
### COLOUR RENDERING INDEX

80Ra 90Ra

### COLOURS



### STANDARDS, COMPLIANCE



(mm)

### INSTALLATION

RECESEED

# Cabinet Spot Light >>>

## S1508



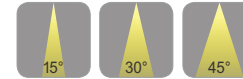
OUTPUT / LUMENS

3W 280LM

POWER SUPPLY

220V/  
110V

DEGREES



CHIP

CREE OSRAM

COLOUR TEMPERATURE

3000K 4000K 6000K

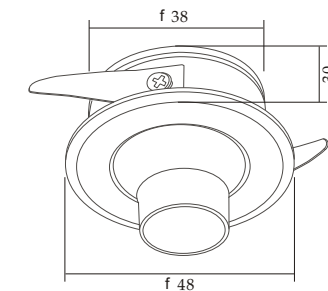
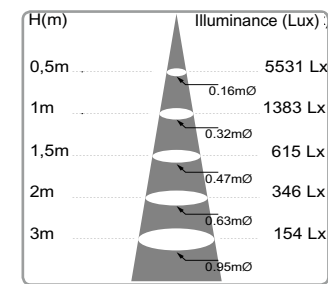
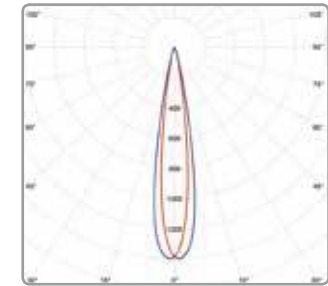
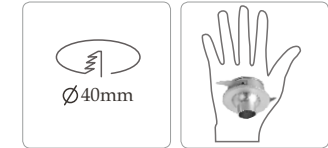
COLOUR RENDERING INDEX

80Ra 90Ra

COLOURS



STANDARDS, COMPLIANCE



(mm)

INSTALLATION

RECESEED







# Cabinet Spot Light >>> S1517



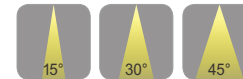
OUTPUT / LUMENS

3W 165LM

POWER SUPPLY

220V/  
110V

DEGREES



CHIP

CREE OSRAM

COLOUR TEMPERATURE

3000K 4000K 6000K

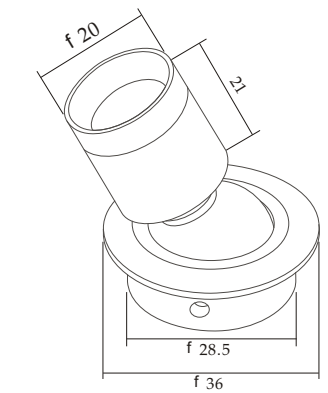
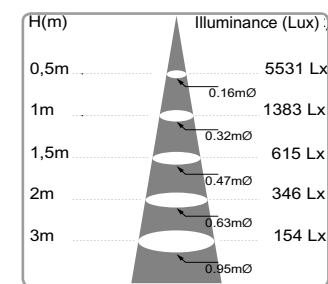
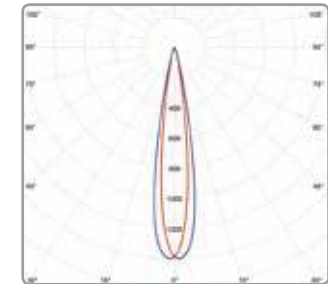
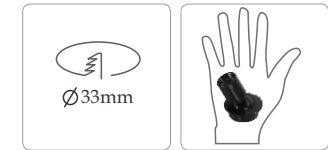
COLOUR RENDERING INDEX

80Ra 90Ra

COLOURS



STANDARDS, COMPLIANCE



(mm)

INSTALLATION

RECESEED

# Cabinet Spot Light >>> S1523



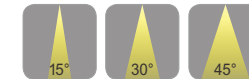
OUTPUT / LUMENS

1W 120LM

POWER SUPPLY

220V/  
110V

DEGREES



CHIP

CREE OSRAM

COLOUR TEMPERATURE

3000K 4000K 6000K

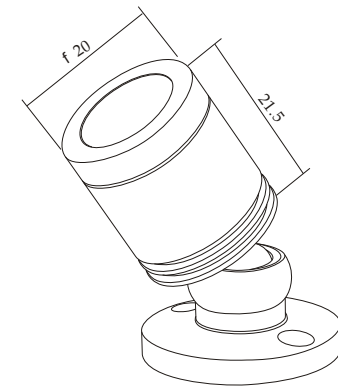
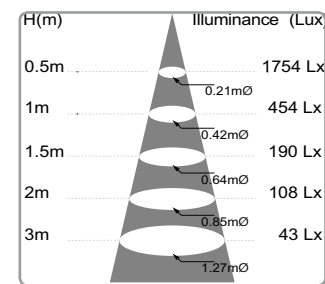
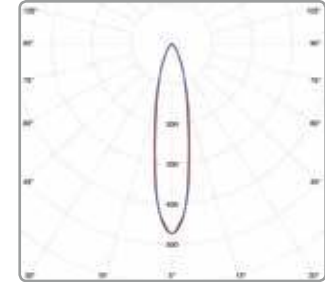
COLOUR RENDERING INDEX

80Ra 90Ra

COLOURS



STANDARDS, COMPLIANCE



(mm)

INSTALLATION

SURFACE MOUNTED