

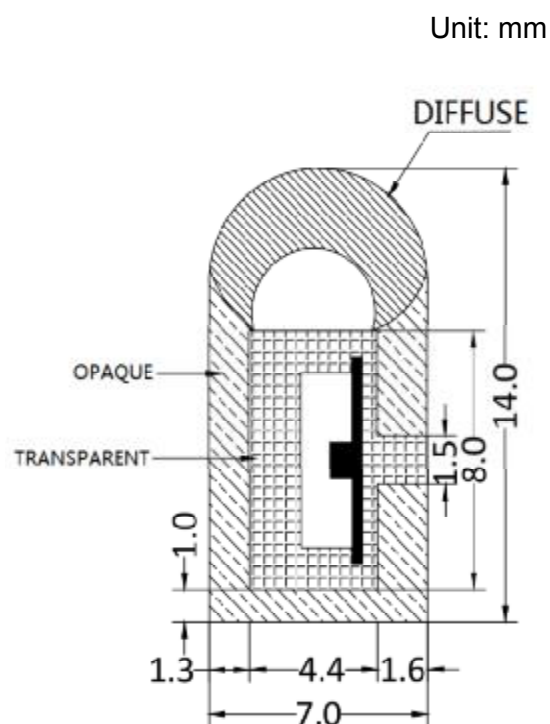
# NEON FLEX

## TZ-NF001

- ☑ Silicone base edge to increase luminosity
- ☑ Low heat
- ☑ Low maintenance cost
- ☑ 100% unbreakable
- ☑ 100% waterproof
- ☑ Work temperature:-20°C-60°C

## TECH SPECS

Model	TZ-NF001
Power	7.2W max/m
Voltage	24V DC
Lifespan	35.000Hrs
Brightness	200 lm/m
LED Indicator	2300K-6500K
Warranty	3 years
Waterproof	IP67
Cutable	50mm
LED	SMD2835 120LEDs/m



# NEON FLEX

## TZ-NF002

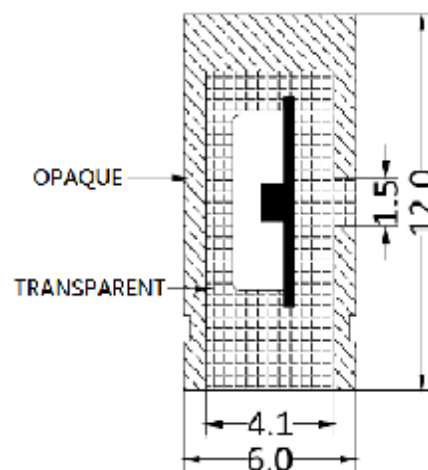
- ☑ Silicone base edge to increase luminosity
- ☑ Low heat
- ☑ Low maintenance cost
- ☑ 100% unbreakable
- ☑ 100% waterproof
- ☑ Work temperature:-20°C-60°C

## TECH SPECS

Model	TZ-NF002
Power	8.6W max/m
Voltage	24V DC
Lifespan	35.000Hrs
Brightness	280LM/M
LED Indicator	2300K-6500K
Warranty	3 years
Waterproof	IP67
Cutable	50mm
LED	SMD2835 120LEDs/m



Unit: mm



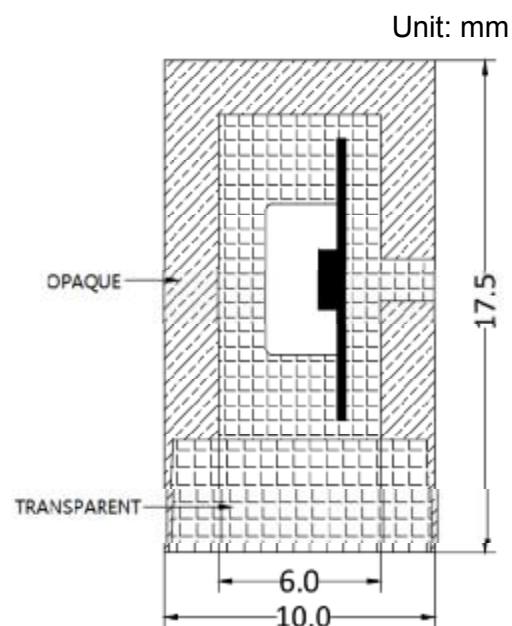
# NEON FLEX

## TZ-NF003

- ☑ Silicone base edge to increase luminosity
- ☑ Low heat
- ☑ Low maintenance cost
- ☑ 100% unbreakable
- ☑ 100% waterproof
- ☑ Work temperature:-20°C-60°C

## TECH SPECS

Model	TZ-NF003
Power	12W max/m
Voltage	24V DC
Lifespan	35.000Hrs
Brightness	360LM/M
LED Indicator	2300K-6500K
Warranty	3 years
Waterproof	IP67
Cutable	50mm
LED	SMD2835 168LEDs/m



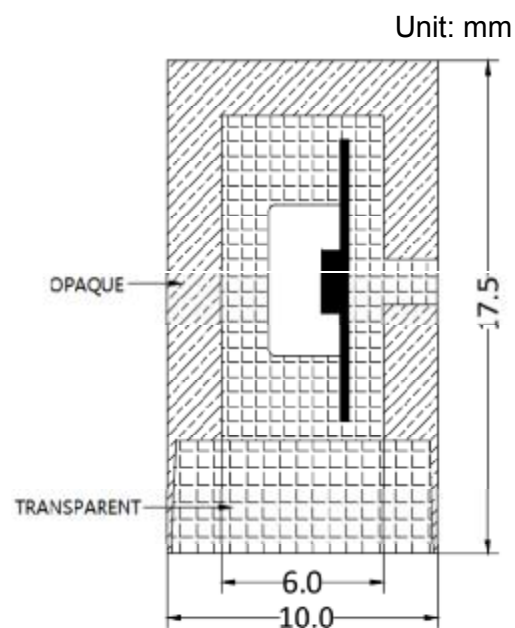
# NEON FLEX

## TZ-NF004

- ☑ Silicone base edge to increase luminosity
- ☑ Low heat
- ☑ Low maintenance cost
- ☑ 100% unbreakable
- ☑ 100% waterproof
- ☑ Work temperature:-20°C-60°C

## TECH SPECS

Model	TZ-NF004
Power	12W max/m
Voltage	24V DC
Lifespan	35.000Hrs
Brightness	-
LED Indicator	2700K - 5000K
Warranty	3 years
Waterproof	IP67
Cutable	50mm



# NEON FLEX

## TZ-NF005

- ☑ Silicone base edge to increase luminosity
- ☑ Low heat
- ☑ Low maintenance cost
- ☑ 100% unbreakable
- ☑ 100% waterproof
- ☑ Work temperature:-20°C-60°C

## TECH SPECS

Model	TZ-NF005
Power	15W max/m
Voltage	24V DC
Lifespan	35.000Hrs
Brightness	-
LED Indicator	2700K - 5000K
Warranty	3 years
Waterproof	IP67
Cutable	50mm

