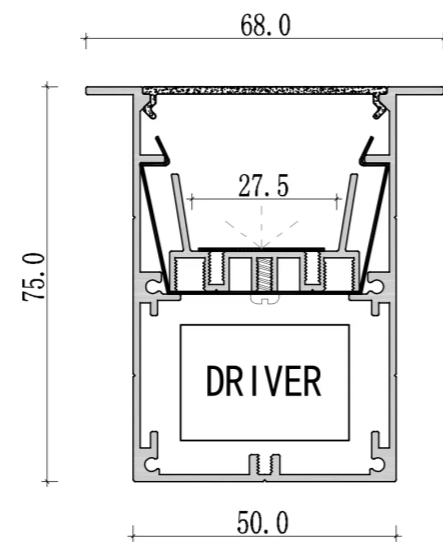
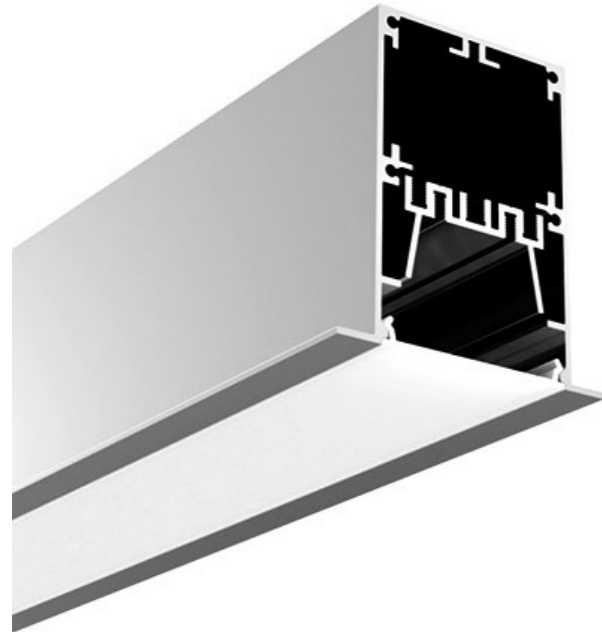


TZ-R6875

Dimensions



Specification for LED STRIP

Watts	20w/m
Lumens	1800lm/m
CCT	3000K/ 4000K/RGBW
CRI Option	>80 or >90
Mac Adam	3
Lifetime	50,000 hrs
Dimming Option	DALI & Phase cut
Dimension	(W) 68mm x (H) 75mm
Finish Colour	Black, White Or custom colours

Product Features:

- Recessed
- Customized lengths possible
- Lighting can be LED strip or OSRAM LED board
- Optional Up/Down lighting available

Specification for OSRAM LED board (UP light uses LED strip)

Watts	30w/m	42w/m
Module	4000lm/m	7150lm/m
Up Light Watts (Optional)	9.6W/m	14.4W/m
Up Light Lumens(Optional)	1000lm/m	1500lm/m
CCT	3000K/ 4000K/RGBW	
CRI Option	>80 or >90	
MacAdam	3	
Lifetime	50,000 hrs	
Optional dimming	DALI & Phase Cut	
Dimension	(W) 68mm x (H) 75mm	
Installation	Recessed	
Finish Colour	Black, White Or Custom Colours	